

## Luxurious Integrated Toilet



TOTO  
GREEN  
CHALLENGE

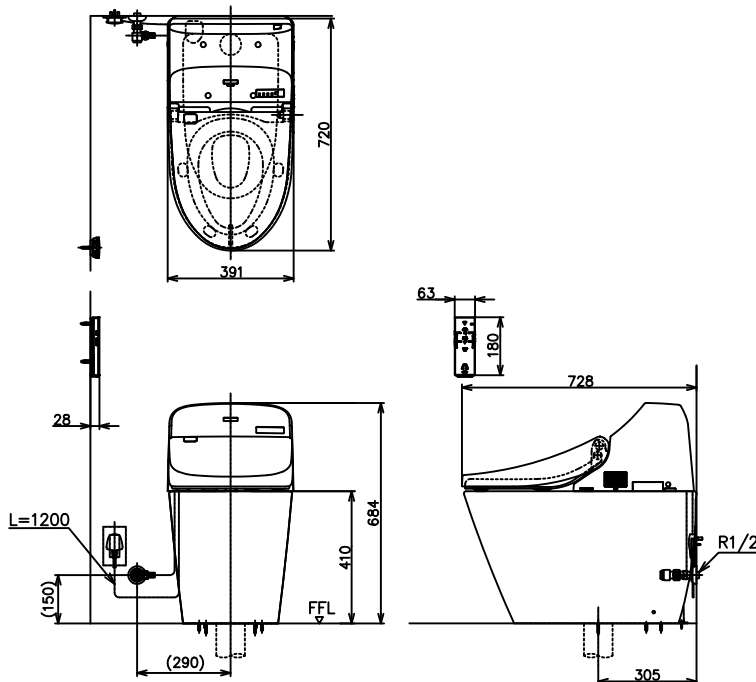


## CW971BA305/TCF9433A CW971BPA/TCF9433A

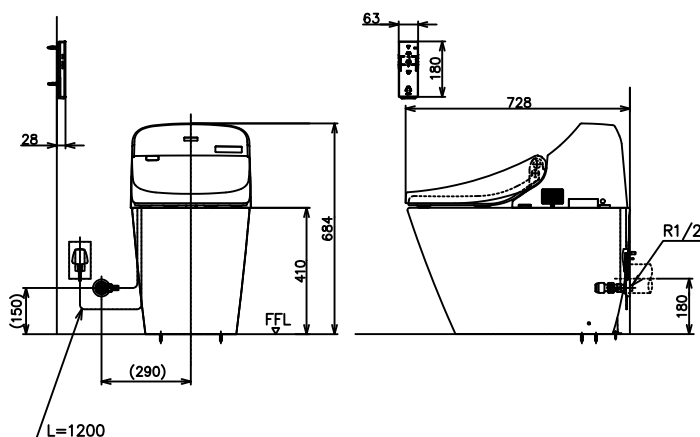
### Features

- Luxurious Toilet integrated with WASHLET unit.
- Tornado Flushing for powerful flushing effect with less amount of water.
- Rimless bowl design ensures easy cleaning and ultimate hygiene
- CeFiONtect prevents debris on toilet surface
- Fully equipped with comfortable rear, front, and oscillating cleansing functions
- Auto lid opening and closing function
- Auto Flushing Function
- Premist water is sprayed inside the toilet bowl to make it difficult for dirt to adhere

CW971BA305 / TCF9433A



CW971BPA / TCF9433A



### Specifications

Flush System : Tornado

Water Use : 4.5/ 3.0 L

Rough-in : 305mm (CW971BT305)  
: H=180mm (CW971PB)

Water Pressure : 0.05Mpa ~ 0.75Mpa  
Power Rating : 220 ~ 240V : 50/60Hz  
: 264 ~ 309W

Length of Power Cord : 1.2m

Material : Bowl - Ceramic  
: Seat & Cover - plastic

Size : 391Wx728Dx684H

### Parts Description

- **CW971BA305**  
Water Closet Bowl (S-trap)
- **CW971BPA**  
Water Closet Bowl (P-trap)
- **TCF9433A**  
WASHLET Unit

### Colors

White

Please consult a TOTO representative for details