

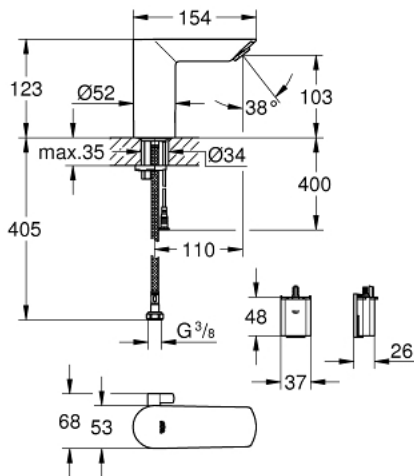
## 36 451 000 INFRA-RED ELECTRONIC BASIN MIXER 1/2" WITH MIXING DEVICE AND TEMPERATURE LIMITER



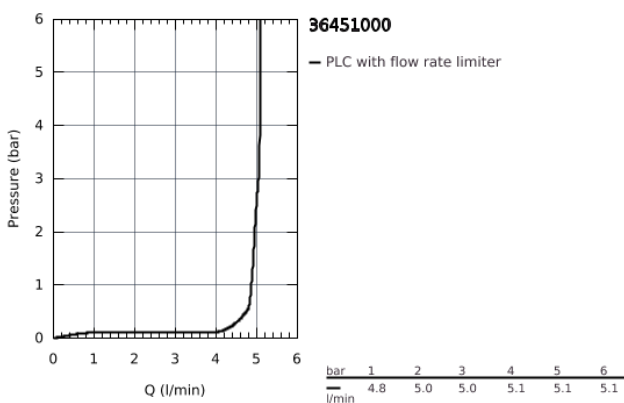
### PRODUCT DESCRIPTION

- with infrared sensor for bi-directional communication for monitoring, configuration and servicing
- 6V lithium battery, type CR-P2
- battery lifetime approx. 7 years (150 actuations a day)
- **GROHE StarLight** chrome finish
- **GROHE EcoJoy** mousseur 5.7 l/min
- **GROHE Zero** isolated inner water ways - lead and nickel free within the tap
- body made of composite polymer

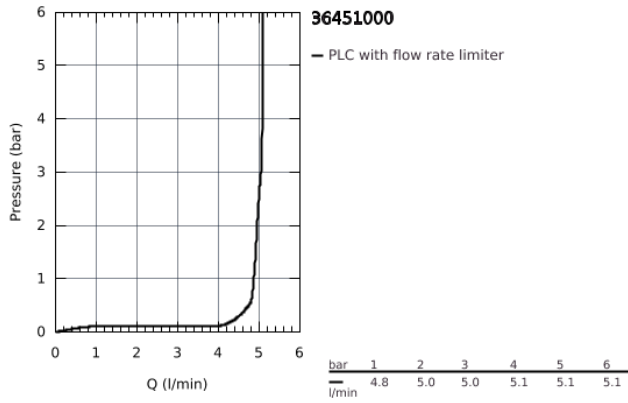
- flexible connection hoses



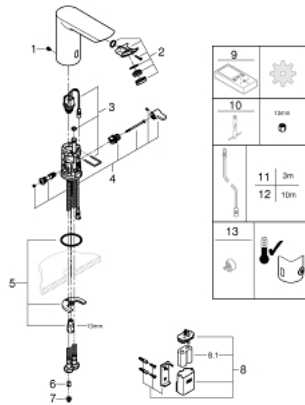
- non-return valve
- dirt strainers
- with integrated solenoid valve
- external battery
- rapid installation system
- multistage battery status display
- 7 pre-set programs
- auto flush
- thermal disinfection
- cleaning mode
- additional functions and precise settings by remote control 36 407
- CE approved
- noise classification 1 in accordance with DIN4109
- type of protection faucet IP 59



36 451 000 **INFRA-RED ELECTRONIC BASIN MIXER 1/2"**  
**WITH MIXING DEVICE AND TEMPERATURE LIMITER**



## 36 451 000 **INFRA-RED ELECTRONIC BASIN MIXER 1/2"** **WITH MIXING DEVICE AND TEMPERATURE LIMITER**



### SPARE PARTS, April 2021 – now

- 1: Screw (Order-nr. 4283100M)
  - 2: Flow restrictor (Order-nr. 42582000)
  - 3: Solenoid valve (Order-nr. 42479000)
  - 4: Lever (Order-nr. 42581000)
  - 5: Shank mounting kit (Order-nr. 46249000)
  - 6: Non-return valve (Order-nr. 4257200M)
  - 7: Filter (Order-nr. 4241300M)
  - 8: Battery Housing (Order-nr. 42393000)
  - 8.1: Battery (Order-nr. 42886000)
  - 9: Remote control (Order-nr. 36407001)\*
  - 10: Mounting wrench (Order-nr. 19017000)\*
  - 11: Power extension cable (Order-nr. 36340000)\*
  - 12: Power extension cable (Order-nr. 36341000)\*
  - 13: Security cover cap (Order-nr. 42408000)\*
- \* Optional accessories