



Features

- Wall Hung Type, easy cleaning
- TORNADO FLUSH for powerful flushing effect with less amount of water
- CEFIONTECT prevent debris on toilet surface
- RIMLESS DESIGN bowl ensures easy cleaning and ultimate hygiene
- WATER SAVING

Specifications

Flush system:	TORNADO FLUSH (Wash Down)
Water Use:	4.5L / 3L
Rough-in:	H=220 mm
Bowl Shape:	D-Shape
Water Pressure:	0.05MPa~0.75MPa
Size:	394Wx530Dx381H mm

Parts description

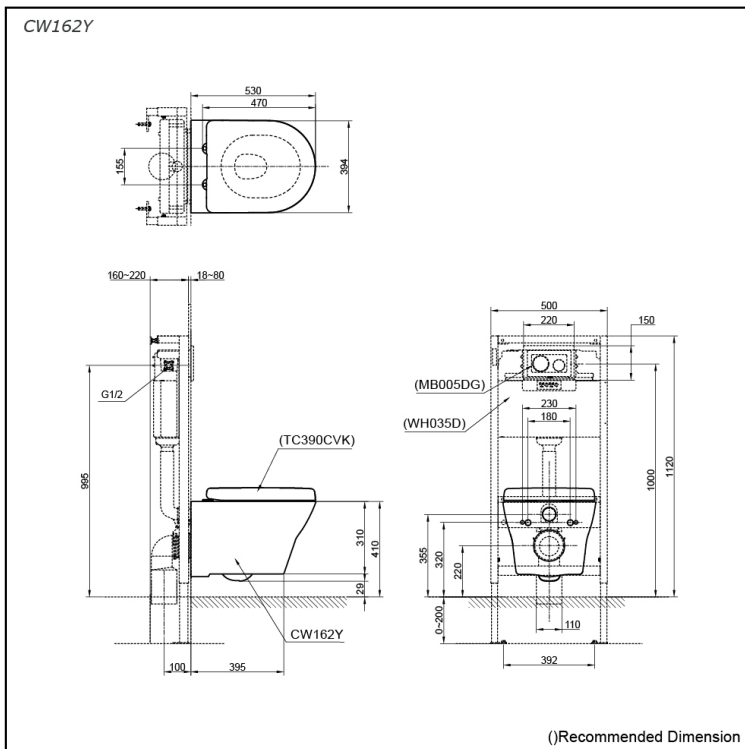
- **CW162Y**
D-Shape Wall Hung Closet Bowl (for Concealed Cistern) (P-Trap) (Rough-in H=220)
- **CW162YH (For Washlet Unit)**
D-Shape Wall Hung Closet Bowl (for Concealed Cistern) (P-Trap) (Rough-in H=220)

Optional Parts

- WH035D
Concealed Cistern w/ Frame
- WH037D
Concealed Cistern w/ Frame (Low Type)
- TC390CVK (CW162Y)
Soft Close Seat & Cover (Urea Resin)
- TCF6532SP (CW162YH)
Washlet Unit
- MB005DG
Flush Panel

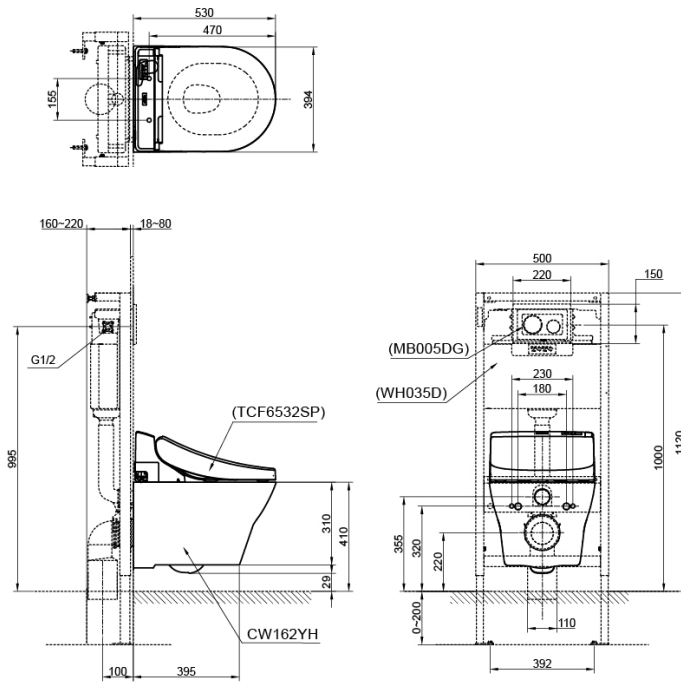
Colors

White (CEFIONTECT)



**CW162Y
CW162YH**

CW162YH



()Recommended Dimension