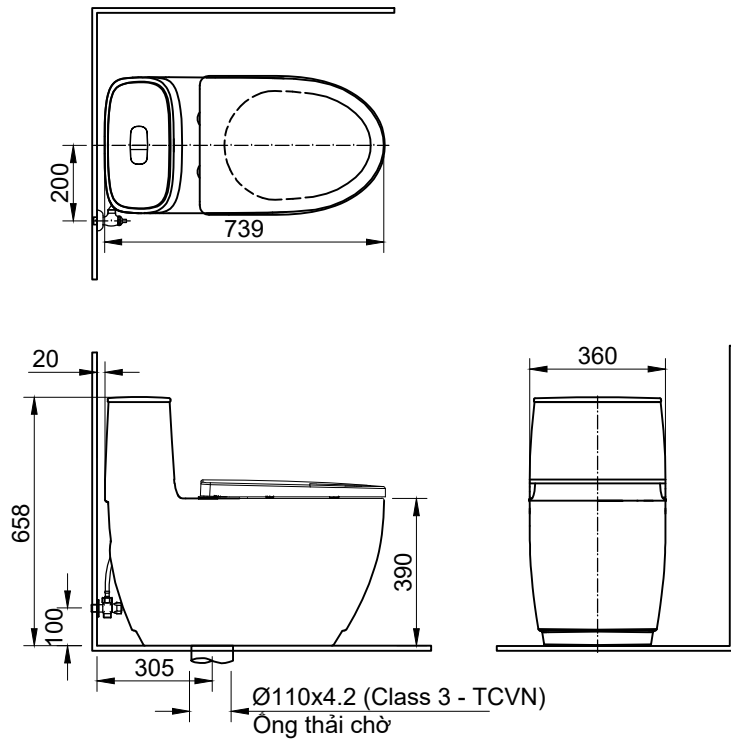


QC issued	ECN No.	Mark	Change matters	Reason for change
		△1		
		△2		
		△3		
		△4		



Material					CODE:	AC-1052VN			Ver.: 01
Surface treatment					TITLE:	OP Toilet			
Finnish					SUPPLIER	Date: 25.Jan.21	DWG. No:	Part classification	
	SCALE	DESIGN	CHECK	APPROVAL	Confidential <input type="checkbox"/> Yes <input type="checkbox"/> No <input type="checkbox"/>	<b>LIXIL VIETNAM</b>			SHEET 1/1
	1:20	INAX							