

## Vernis Shape

### Single lever bath mixer for exposed installation

Surfaces: **Matt Black** Article Number: **71450670**



#### Description

##### product features

- 2 functions
- projection: 166 mm
- centre distance: 150 ± 12 mm
- spray type mixer: Normal spray
- maximum flow rate at 3 bar: 22,5 l/min
- flow rate for bath spout at 3 bar: 22,5 l/min
- flow rate of hand shower at 3 bar: 15,7 l/min
- ceramic cartridge
- temperature limitation adjustable
- diverter with automatic resetting
- with silencer
- suitable for continuous flow water heaters
- connection dimension: DN15
- connection type: s-shaped connections
- min. operating pressure: 1 bar
- max. operating pressure: 10 bar

#### Technology



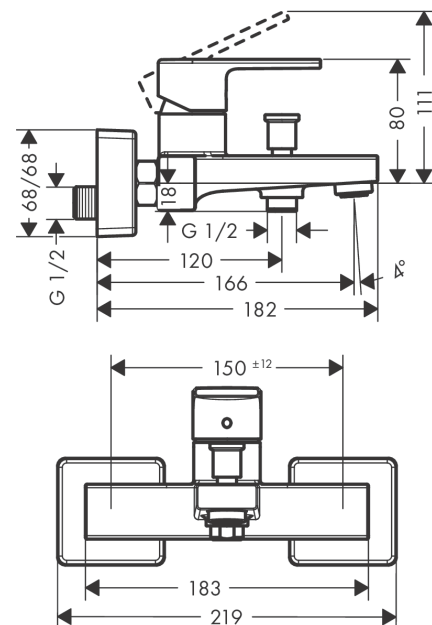
#### Certificates



#### Product image



#### Scale drawing



**Vernis Shape**  
**Single lever bath mixer for exposed installation**  
 Surfaces: **Matt Black** Article Number: **71450670**



**Flowchart**

