

## Talis E

Pillar tap 80 with lever handle for cold water or pre-adjusted water without waste set

Surface: **Chrome** Article Number: **71706000**



### Description

#### product features

- ComfortZone 80
- projection: 96 mm
- spout height: 71 mm
- spray type: Normal spray
- maximum flow rate at 3 bar: 5 l/min
- ceramic cartridge
- for cold water connection
- connection type: G 3/8 connection hose
- connection dimension: DN15

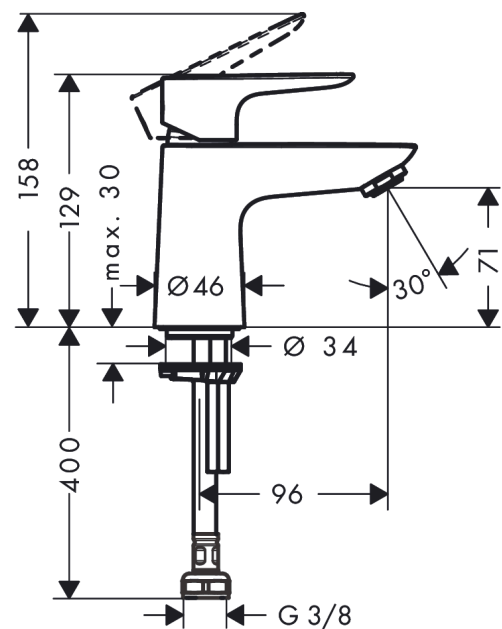
### Technology



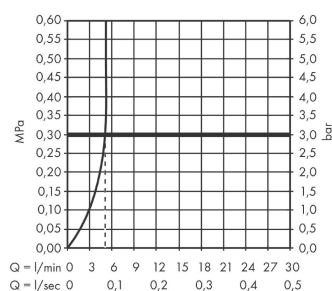
### Product image



### Scale drawing



### Flowchart



Talis E

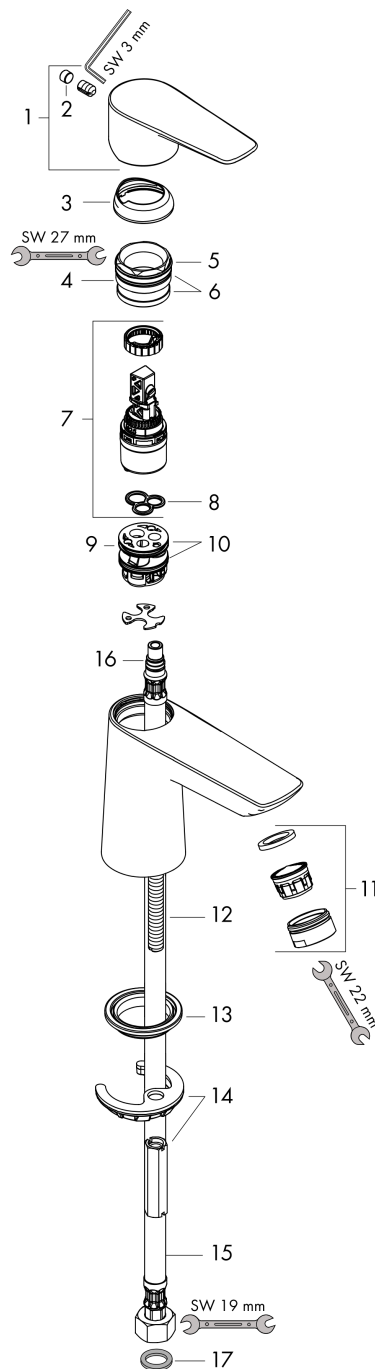
Pillar tap 80 with lever handle for cold water or pre-adjusted water without waste set

Surface: **Chrome** Article Number: **71706000**



Exploded Drawing

Year of production: >10/15



**Talis E****Pillar tap 80 with lever handle for cold water or pre-adjusted water without waste set**Surface: **Chrome** Article Number: **71706000****Spare part list**

Year of production: &gt;10/15

Pos.	Description	Article Number	Price	PU
1	handle	92690000	€ 45,82	1
2	screw cover	95704000	€ 3,33	1
3	flange	92625000	€ 28,92	1
4	nut	92689000	€ 22,97	1
5	O-ring 25x1,5	98146000	€ 3,33	1
6	O-ring 27x1,5	92527000	€ 11,66	1
7	cartridge, assy	97685000	€ 58,67	1
8	seal	98865000	€ 28,92	1
9	adapter for cartridge	98866000	€ 28,92	1
10	O-ring 23x2	98398000	€ 3,33	1
11	aerator M24x1 (5 l/min)	13185000	-	1
12	screw M8 x 68	97736000	€ 5,36	1
13	seal	97608000	€ 5,36	1
14	fixing set	96016000	€ 28,92	1
15	connection hose 450 mm M8x0,75 G3/8	97206000	€ 28,92	1
16	O-ring 7x1,5	98422000	€ 3,33	1
17	sealing set	95581000	€ 5,36	1