

ShowerSelect

Thermostat HighFlow for concealed installation for 1 function and additional outlet

Surfaces: **Chrome** Article Number: **15761000**



Description

product features

- 1 function and 1 additional outlet
- Select push-button on/off control for 1 outlet
- maximum flow rate at 3 bar: 59 l/min
- flow rate hand shower connection at 3 bar: 34 l/min
- flow rate upper outlet: 59 l/min
- thermostat cartridge, Start/stop valve to operate the functions
- safety lock at 40 °C
- temperature limitation adjustable
- connection type: basic set
- min. operating pressure: 1 bar
- max. operating pressure: 10 bar
- dirt filter included
- Thermostat is delivered with button hand shower

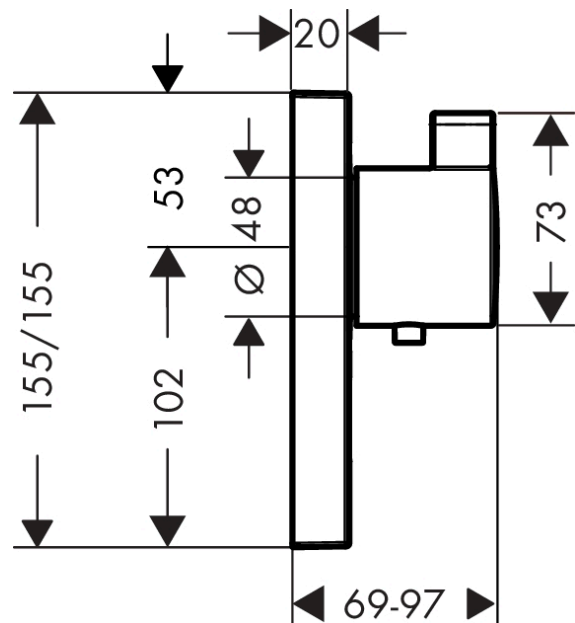
Technology



Product image



Scale drawing



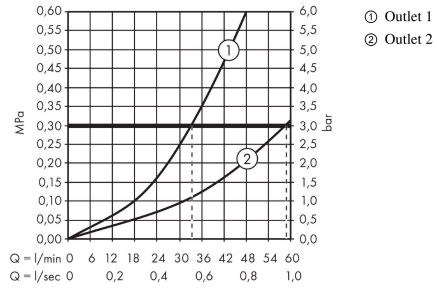
ShowerSelect

Thermostat HighFlow for concealed installation for 1 function and additional outlet

Surfaces: **Chrome** Article Number: **15761000**



Flowchart



ShowerSelect

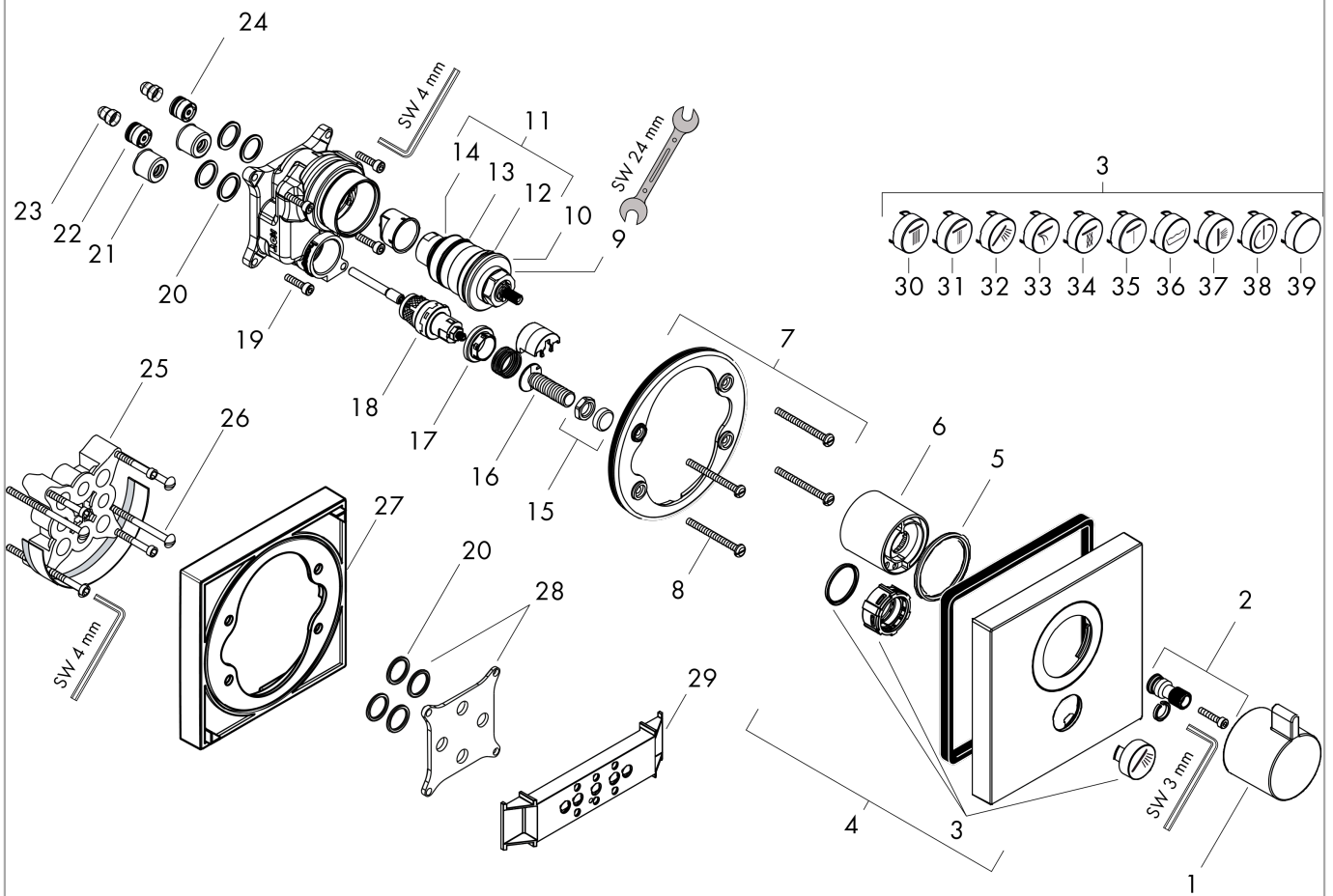
Thermostat HighFlow for concealed installation for 1 function and additional outlet

Surfaces: **Chrome** Article Number: **15761000**



Exploded Drawing

Year of production: >10/13



ShowerSelect

Thermostat HighFlow for concealed installation for 1 function and additional outlet

Surfaces: **Chrome** Article Number: **15761000**



Spare part list

Year of production: >10/13

Pos.	Description	Article Number	Price	PU
1	handle for thermostat	98474000	€ 57,12	1
2	adapter for handle	96435000	€ 18,33	1
3	set of symbols	92218000	€ 70,57	1
4	escutcheon 155 / 155 mm	92235000	€ 124,95	1
5	O-ring 48x5	98174000	€ 3,21	1
6	sleeve	97439000	€ 35,94	1
7	holder for escutcheon	98793000	€ 35,94	1
8	set of fixing screws	96454000	€ 8,45	1
9	thermostat cartridge	96633000	€ 124,95	1
10	O-ring 43x1,5	98148000	€ 3,21	1
11	sealing set	96636000	€ 44,63	1
12	O-ring 38x2,5	98198000	€ 5,24	1
13	O-ring 34x2	98383000	€ 5,24	1
14	O-ring 26x2	98147000	€ 3,21	1
15	nut and flange	92696000	€ 13,92	1
16	Select-adapter	92219000	€ 5,24	1
17	nut	98368000	€ 11,31	1
18	shut off unit	95758000	€ 100,44	1
19	set of screws	96525000	€ 8,45	1
20	O-ring 16x2	98133000	€ 3,21	1
21	noise reduction	94073000	€ 22,37	1
22	non return valve (pressure-resistant up to 2 MPa)	92594000	€ 13,92	1
23	filter	98513000	€ 3,21	1
24	non return valve	97980000	€ 28,20	1
25	extension 25 mm	13595000	-	1
26	set of fixing screws	97747000	€ 3,21	1
27	extension 22 mm	13593000	€ 59,62	1
28	compensation set 1°	95521000	€ 162,08	1
29	fit-up aid	92540000	-	1
30	symbol head shower Rain large	93571880	€ 8,45	1
31	symbol head shower Rain small	93572880	€ 8,45	1
32	symbol handshower	93573880	€ 8,45	1
33	symbol Flood jet	93574880	€ 8,45	1
34	symbol Whirl	93575880	€ 8,45	1
35	symbol Mono	93576880	€ 8,45	1
36	symbol tub	93577880	€ 8,45	1
37	symbol body shower	93578880	€ 8,45	1
38	symbol ON/OFF	93579880	€ 8,45	1
39	pushbutton	93955880	€ 18,33	1
a	concealed item	01800180	-	1
b	adapter for exchanged connections	93181000	€ 249,90	1

ShowerSelect

Thermostat HighFlow for concealed installation for 1 function and additional outlet

Surfaces: **Chrome** Article Number: **15761000**



Spare part list

Year of production: >10/13

Pos.	Description	Article Number	Price	PU
c	escutcheon 170 / 170 mm	92661000	€ 401,27	1
d	shut off unit (special)	92361000	€ 100,44	1