

S71

S719-U765 Under-mount sink 370/370

Surfaces: **Stainless Steel** Article Number: **43430800**



Description

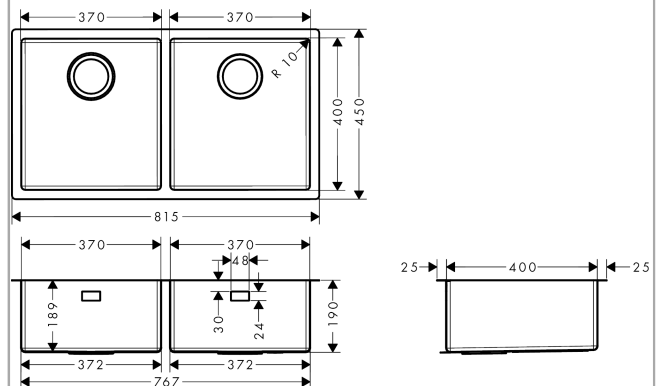
product features

- cut-out dimensions: 763 x 398 mm
- material: stainless steel
- number of bowls: 2 main bowls
- without tap hole
- cabinet size: 90 cm
- type of installation: undermount, flat on the countertop (self-rimming) or flush-mount installation
- corner radius: 10 mm
- sink depth: 190 mm
- waste set not included - please order one waste set from the required parts

Product image



Scale drawing



S71

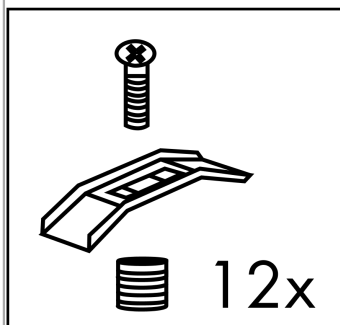
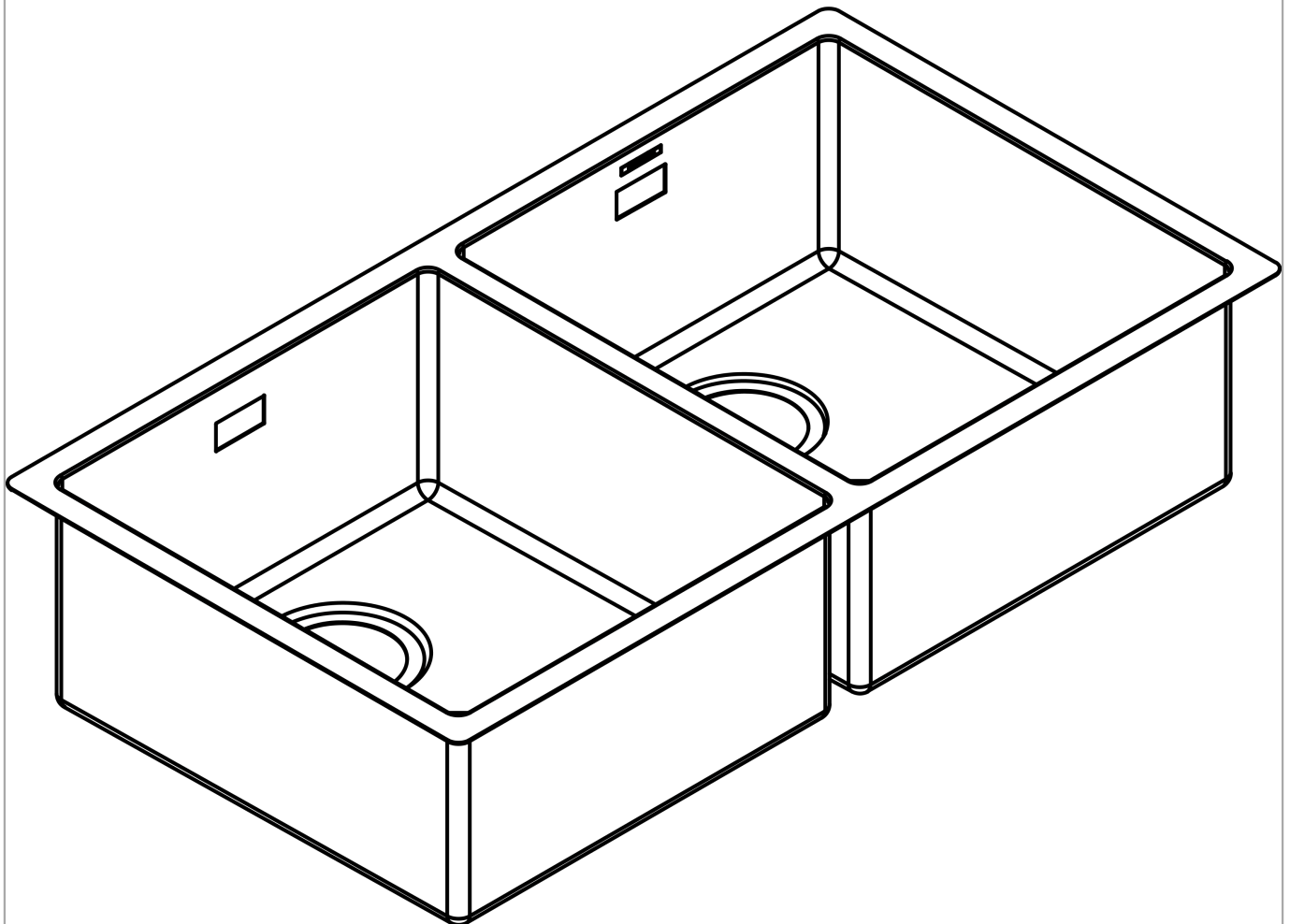
S719-U765 Under-mount sink 370/370

Surfaces: **Stainless Steel** Article Number: **43430800**



Exploded Drawing

Year of production: >04/21



1

S71

S719-U765 Under-mount sink 370/370

Surfaces: **Stainless Steel** Article Number: **43430800**



Spare part list

Year of production: >04/21

Pos.	Description	Article Number	Price	PU
1	mounting kit	93180000	-	1