

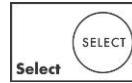
Description

-
-
- **Product features** consists of: Thermostat, shower holder
- 4 functions depending on volume flow and installation situation approx. 50% flow rate reduction and integrated shut off function
- Select push-button on/off control for 4 outlets
- simultaneous use of several outlets maximum flow rate at 3 bar: 38 l/min flow rate per outlet: 26 l/min
- flow rate by simultaneous use of all outlets: 38 l/min
- thermostat cartridge, Start/stop valve to operate the functions safety lock at 40 °C temperature limitation
- adjustable non-return valve hose nut: for shower hoses with conical or cylindrical nut on both sides
- connection type: basic set min. operating pressure: 1 bar max. operating pressure: 10 bar
- Thermostat is delivered with buttons hand shower, Waterfall, Rain large, Mono
-
-

Product image



Technology



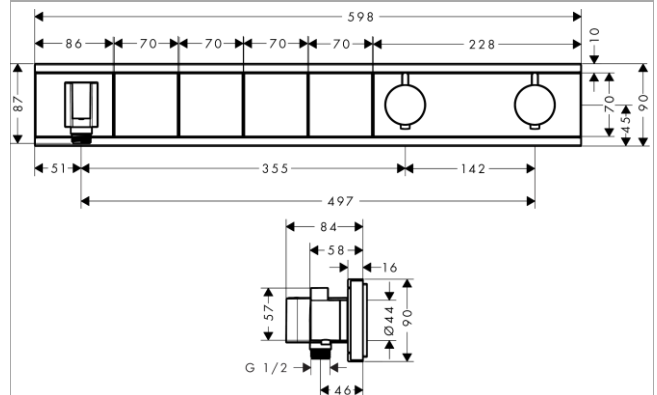
Design awards



Certificates

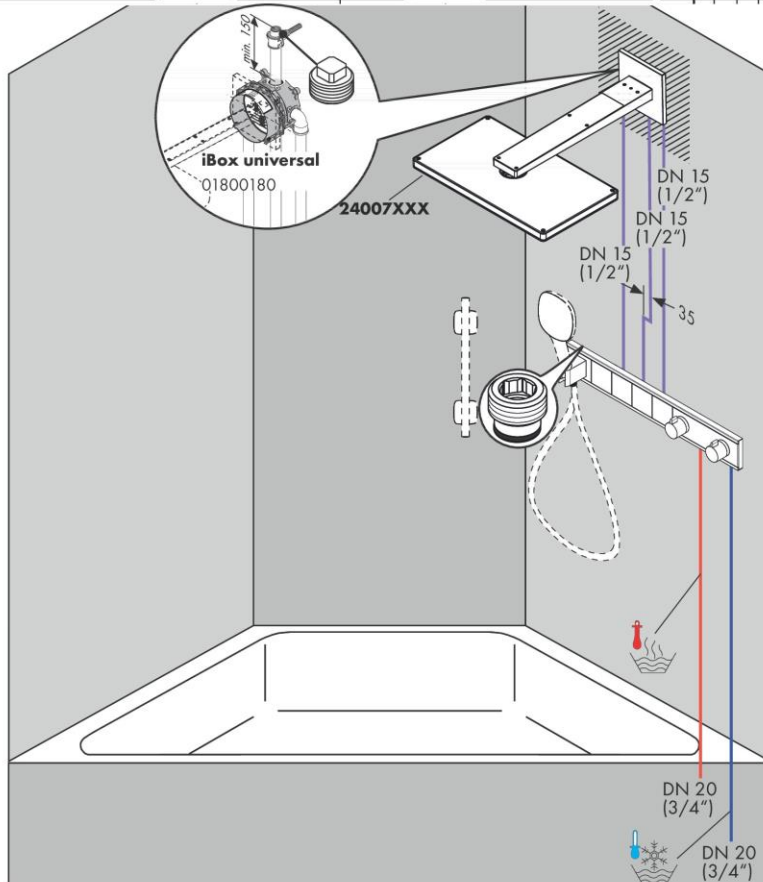
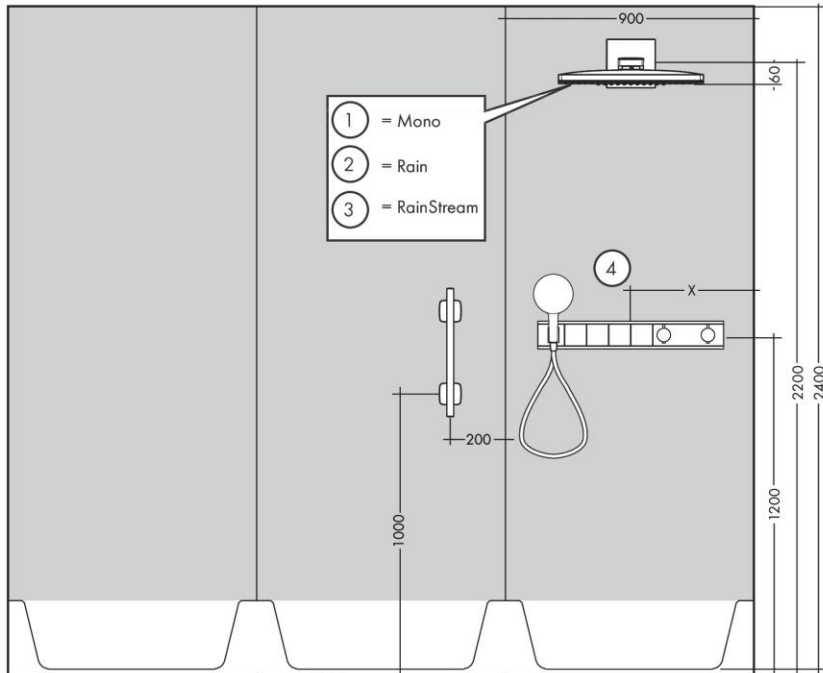
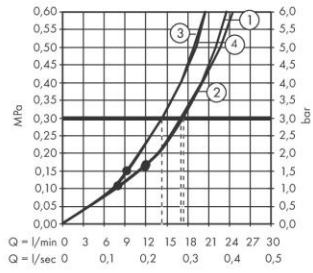


Scale drawing



Installation examples

RainSelect
1531218X / 15357XXX



Exploded Drawing

Year of production: >10/17

