

Rainmaker Select Overhead shower 580 3jet

Surfaces: **White/Chrome** Article Number: **24001400**



Description

product features

- consists of: overhead shower, wall connector
- shower head size: 586 x 258 mm
- spray type: Rain, RainFlow, MonoRain
- material spray disc: plexiglas
- easy cleanable spray disc in glass optics
- maximum flow rate at 3 bar: 20 l/min
- flow rate Rain spray (at 3 bar): 17 l/min
- flow rate RainFlow spray (at 3 bar): 17 l/min
- flow rate Mono spray (at 3 bar): 20 l/min
- function from: 12 l/min
- minimum flow pressure: 1,7 bar
- the 3 spray zones must be controlled via 3 valves or a diverter valve with 3 outlets
- spray disc removable for cleaning
- installation: wall-mounted - for installation on iBox
- connection dimension: DN15/DN20
- not suitable for continuous flow water heaters
- not included: basic set

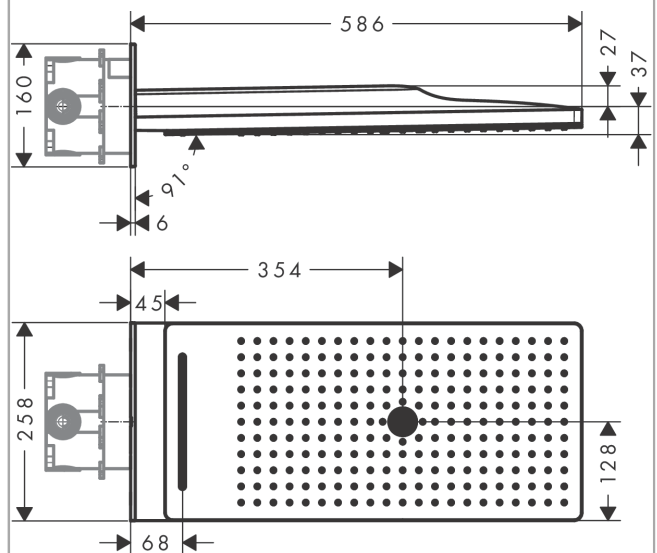
Technology



Product image



Scale drawing

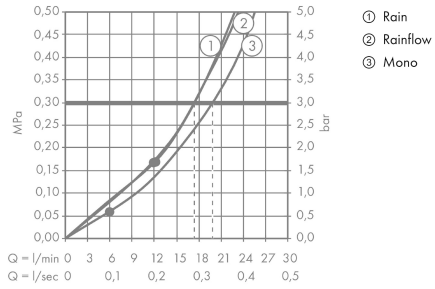


**Rainmaker Select
Overhead shower 580 3jet**

Surfaces: **White/Chrome** Article Number: **24001400**



Flowchart



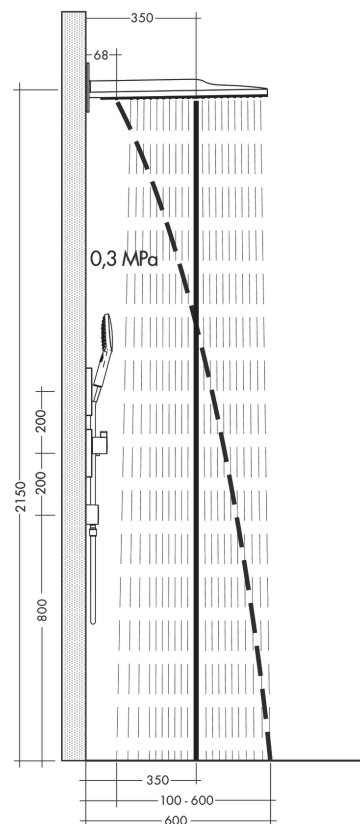
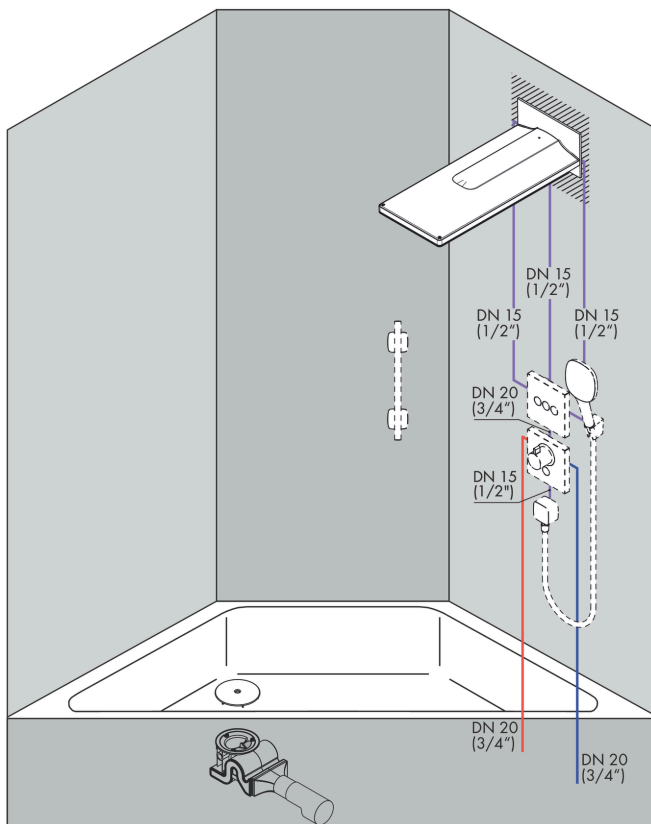
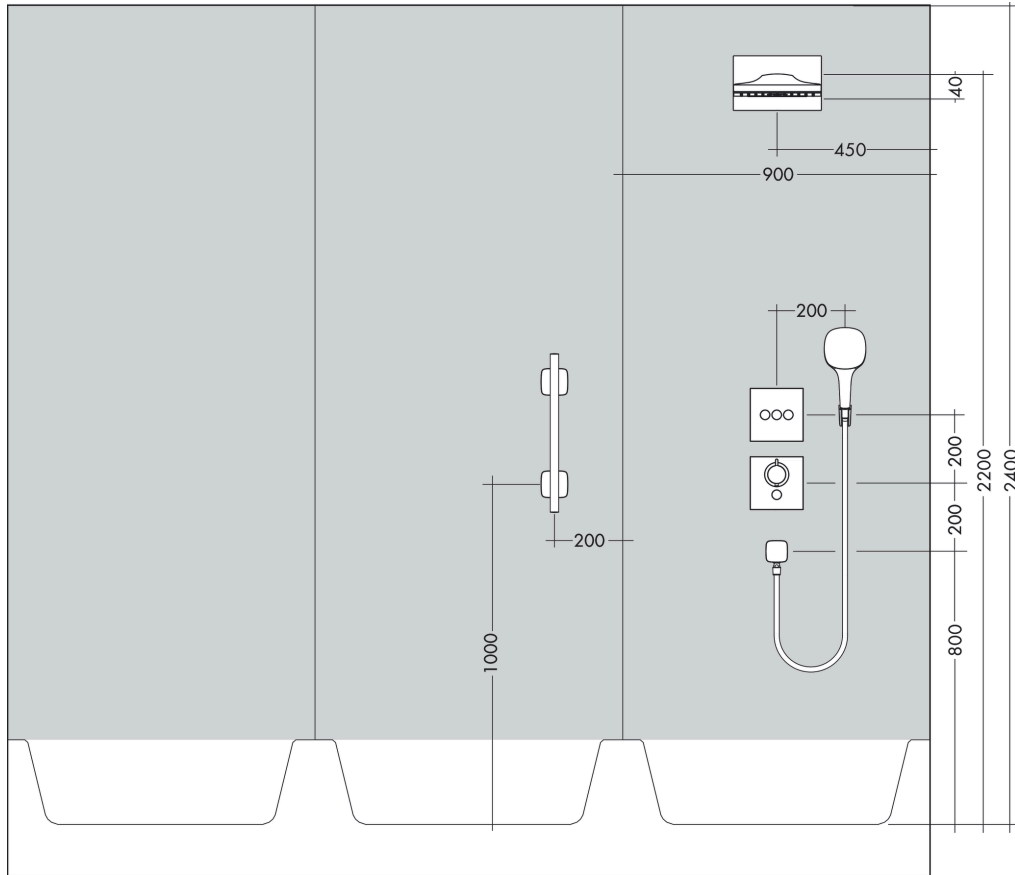
The consumption was measured in combination with the appropriate fittings (thermostat/mixer/in-wall valve) to reflect actual application in practice.

**Rainmaker Select
Overhead shower 580 3jet**

Surfaces: **White/Chrome** Article Number: **24001400**



Installation examples



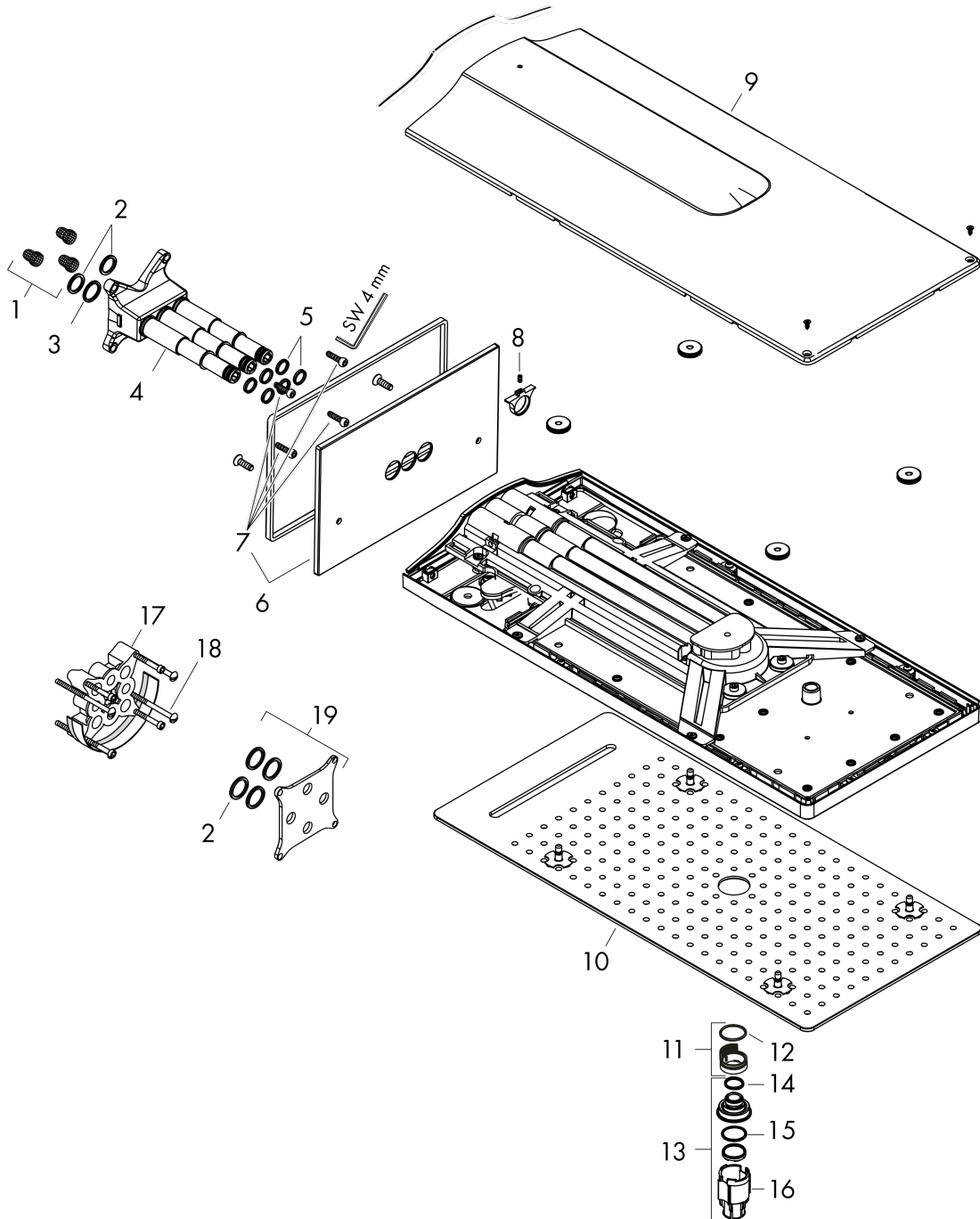
Rainmaker Select
Overhead shower 580 3jet

Surfaces: **White/Chrome** Article Number: **24001400**



Exploded Drawing

Year of production: >06/15



Rainmaker Select
Overhead shower 580 3jet
Surfaces: **White/Chrome** Article Number: **24001400**

Spare part list

Year of production: >06/15

Pos.	Description	Article Number	Price	PU
1	filter	98513000	€ 3,21	1
2	O-ring 16x2	98133000	€ 3,21	1
3	O-ring 18x2	98181000	€ 5,24	1
4	installation unit cpl.	95170000	€ 249,90	1
5	O-ring 12x2	98214000	€ 3,21	1
6	escutcheon	92747000	€ 124,95	1
7	set of screws	96525000	€ 8,45	1
8	hollow set screw M4x8	97669000	€ 3,21	1
9	cover	92746000	€ 401,27	1
10	spray body	92748000	€ 2.159,26	1
11	filter	92683000	€ 18,33	1
12	O-ring 24x2	98388000	€ 3,21	1
13	aerator laminar	92684000	€ 86,16	1
14	O-ring 15x2	98163000	€ 3,21	1
15	O-ring 21x2	98205000	€ 5,24	1
16	special tool	92686000	€ 8,45	1
17	extension 25 mm	13595000	-	1
18	set of fixing screws	97747000	€ 3,21	1
19	compensation set 1°	95521000	€ 162,08	1