

Rainmaker Select

Overhead shower 460 1jet with shower arm

Surfaces: **White/Chrome** Article Number: **24003400**



Description

product features

- consists of: overhead shower, shower arm, escutcheon
- shower head size: 466 x 270 mm
- spray type: Rain
- material spray disc: plexiglas
- easy cleanable spray disc in glass optics
- shower arm length 462 mm
- maximum flow rate at 3 bar: 19 l/min
- flow rate Rain spray (at 3 bar): 19 l/min
- function from: 12 l/min
- minimum flow pressure: 1,5 bar
- spray disc removable for cleaning
- overhead shower removable for cleaning
- installation: wall
- connection thread G ½
- connection dimension: DN15
- not suitable for continuous flow water heaters

Technology



Design awards



reddot award 2017
winner

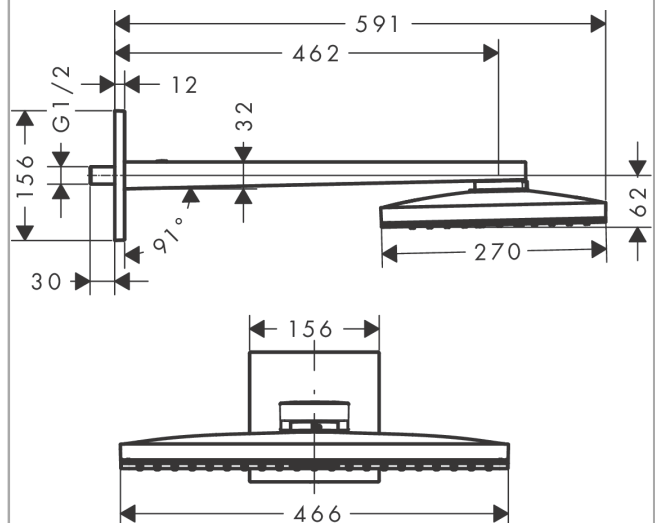


DESIGN
AWARD
2017

Product image



Scale drawing



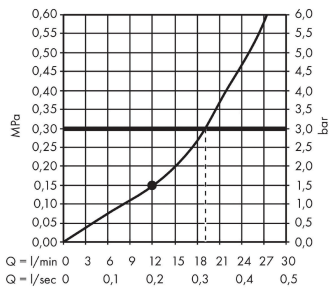
Rainmaker Select

Overhead shower 460 1jet with shower arm

Surfaces: **White/Chrome** Article Number: **24003400**



Flowchart



The consumption was measured in combination with the appropriate fittings (thermostat/mixer/in-wall valve) to reflect actual application in practice.

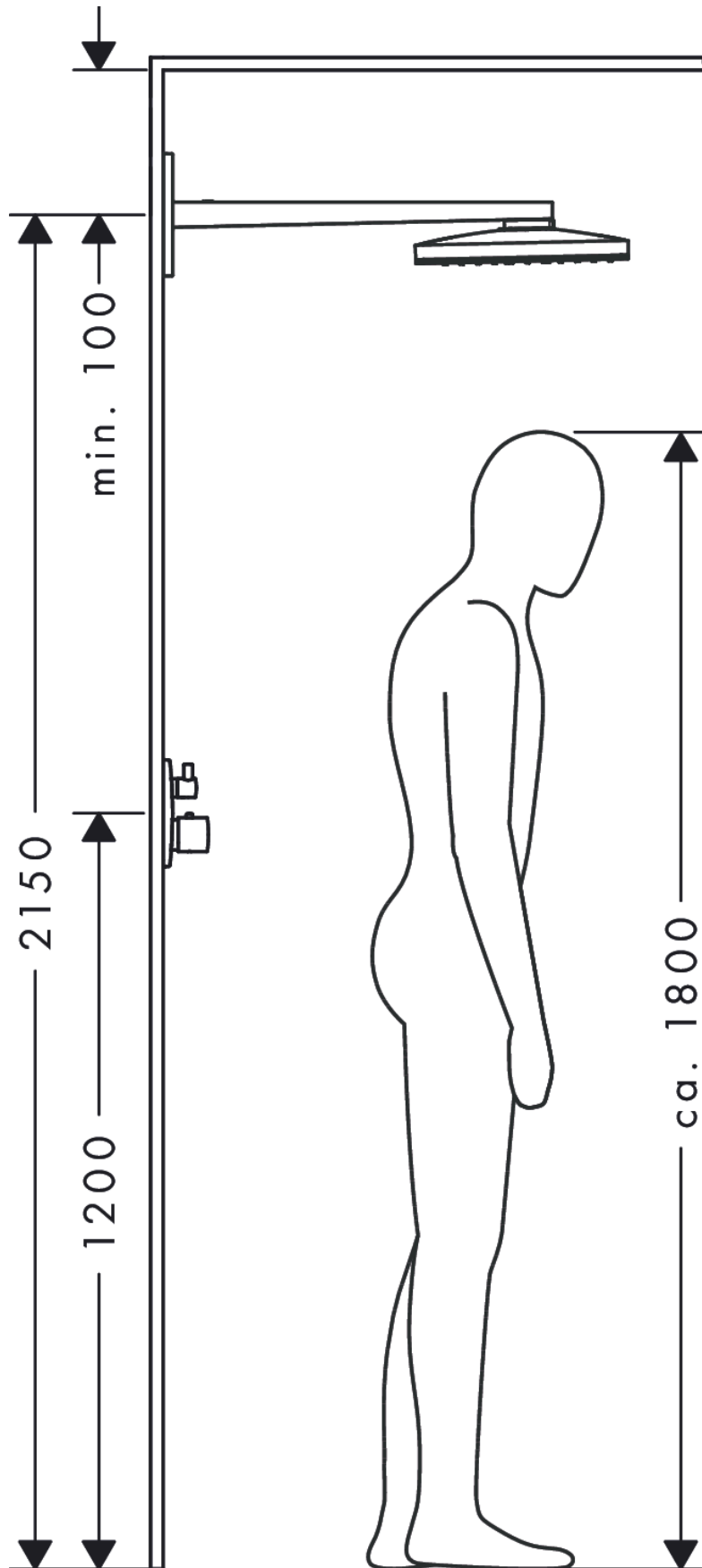
Rainmaker Select

Overhead shower 460 1jet with shower arm

Surfaces: **White/Chrome** Article Number: **24003400**



Installation examples

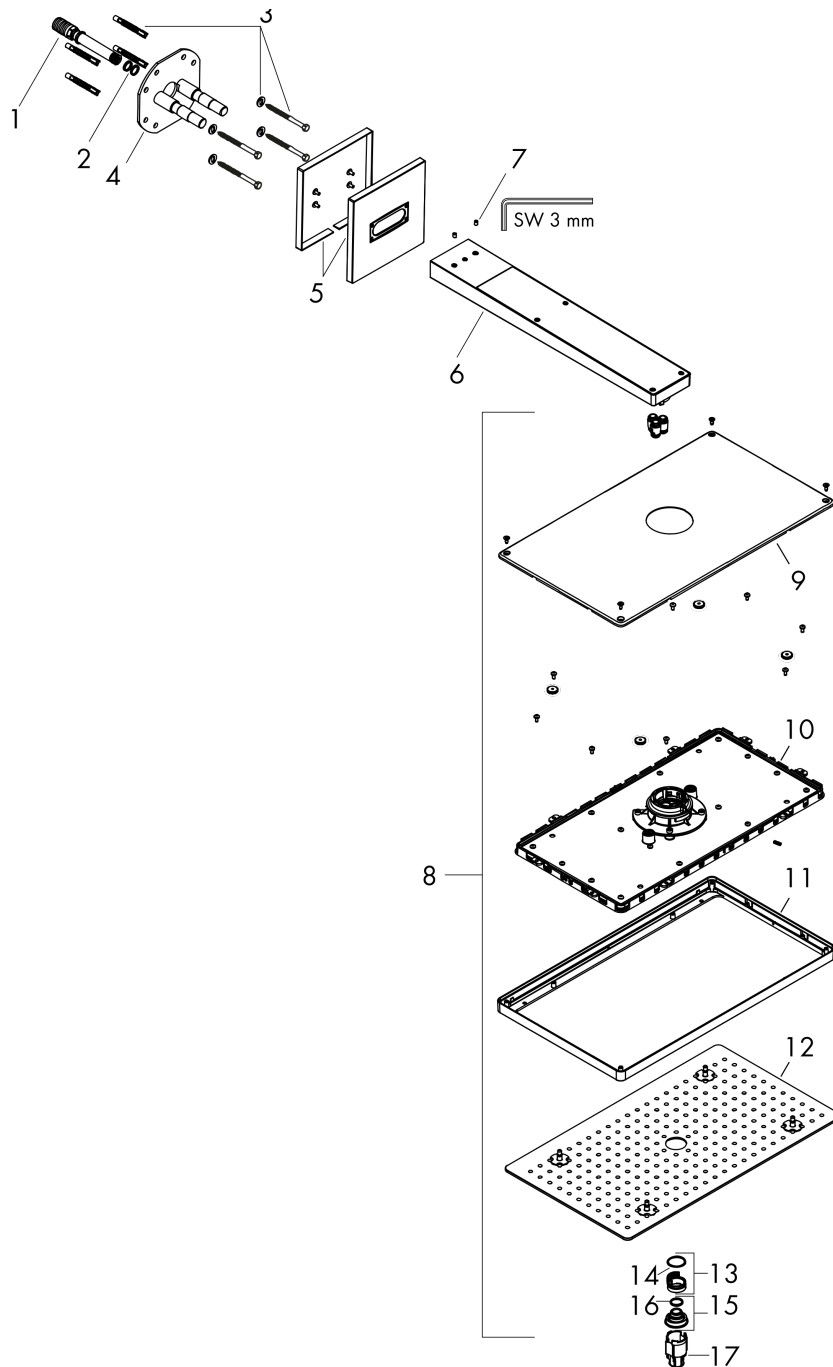


Rainmaker Select
Overhead shower 460 1jet with shower arm
 Surfaces: **White/Chrome** Article Number: **24003400**



Exploded Drawing

Year of production: >07/15



Rainmaker Select

Overhead shower 460 1jet with shower arm

Surfaces: **White/Chrome** Article Number: **24003400**



Spare part list

Year of production: >07/15

Pos.	Description	Article Number	Price	PU
1	connecting thread G½	92699000	€ 86,16	1
2	O-ring 12x2	98214000	€ 3,21	1
3	mounting set	98716000	€ 13,92	1
4	support element	93926000	€ 100,44	1
5	escutcheon 155 / 155 mm	92700000	€ 162,08	1
6	shower arm	92701000	€ 401,27	1
7	hollow set screw M5x8	92851000	€ 3,21	1
8	head shower	92702000	€ 1.767,98	1
9	cover	93392000	-	1
10	cartridge, assy	93388000	€ 401,27	1
11	frame	93390000	€ 539,55	1
12	spray body	92703000	€ 1.091,94	1
13	filter	92683000	€ 18,33	1
14	O-ring 24x2	98388000	€ 3,21	1
15	spray insert	92685000	€ 162,08	1
16	O-ring 15x2	98163000	€ 3,21	1
17	special tool	92686000	€ 8,45	1
a	Grease	90920000	€ 13,92	1