

## RainDrain Spot

Complete set point drain 150/150

Surfaces: **Brushed Stainless Steel**

Article Number: **56055800**



### Description

#### product features

- consists of: design grate, base set, siphon, pre-assembled sealing membrane, screed protection cover
- pre-assembled sealing membrane
- water seal: 50 mm
- connection diameter: DN50
- direction of outlet: pre-assembled horizontally, can be used vertically
- easy to clean surface
- height adjustable by 10 mm
- up to 35 l/min drainage capacity
- where to use: new construction, renovation
- removable water lock
- rotatable and adjustable siphon body
- easy to clean siphon
- type of odour seal: fluid
- minimal installation height 80 mm
- material siphon: ABS
- mounting type: free in the floor
- grate material: Stainless Steel 304 (1.4301)

### Technology



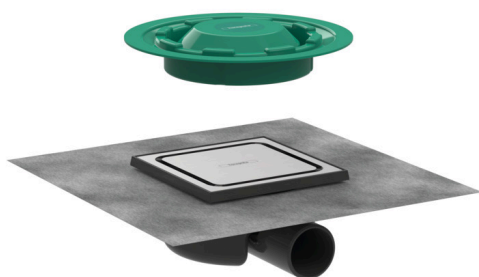
### Design awards



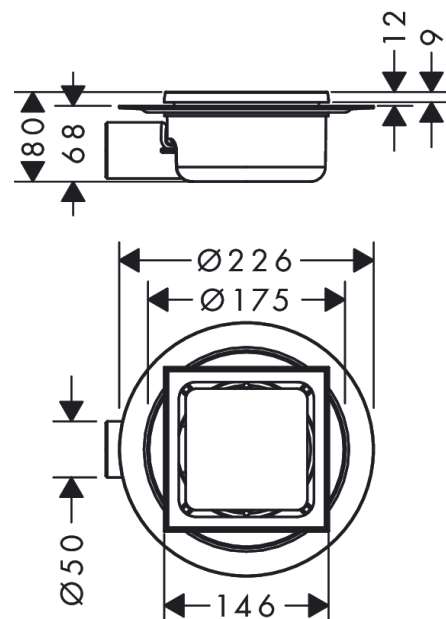
reddot winner 2022



### Product image



### Scale drawing



**RainDrain Spot**

**Complete set point drain 150/150**

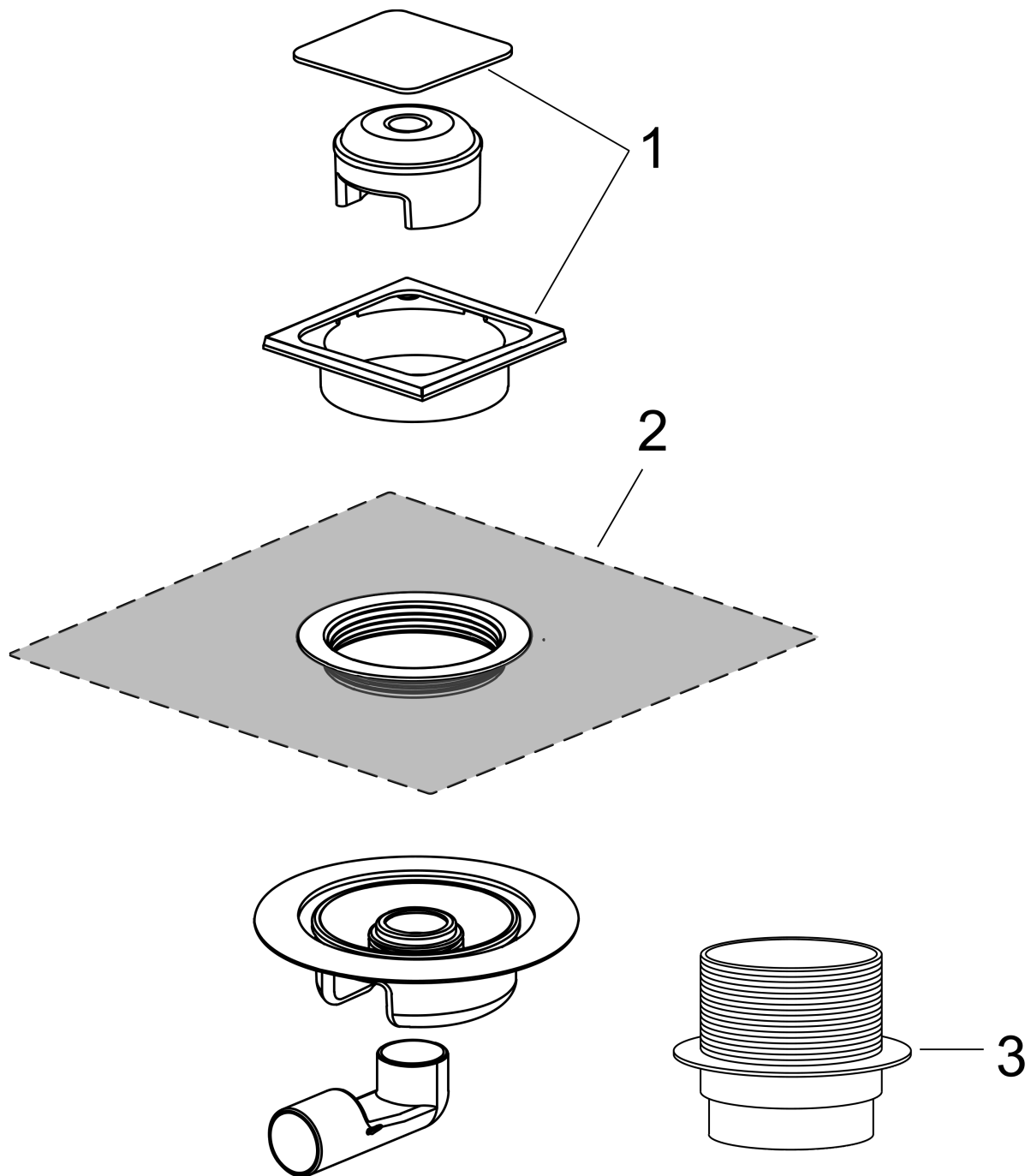
Surfaces: **Brushed Stainless Steel**

Article Number: **56055800**



**Exploded Drawing**

Year of production: >07/21



**RainDrain Spot**

**Complete set point drain 150/150**

Surfaces: **Brushed Stainless Steel**

Article Number: **56055800**



**Spare part list**

Year of production: >07/21

Pos.	Description	Article Number	Price	PU
1	cover	94385000	€ 100,44	1
2	seal	94341000	€ 86,16	1
3	-	56056000	-	1