

Raindance Select S

Shower holder set 120 3jet with shower hose 160 cm

Surfaces: **Chrome** Article Number: **26721000**

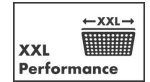


Description

product features

- consists of: hand shower, shower holder, shower hose
- shower head size: 125 mm
- integrated support function
- spray type: RainAir, Rain, Whirl
- convenient diversion via Select button
- maximum flow rate at 3 bar: 15 l/min
- minimum flow pressure: 1 bar
- operating pressure: min. 1 bar/max. 6 bar
- pivot connector prevent hose from tangling
- Shower holder of plastic
- wall mounting: screw fastening
- rinseable screen seal

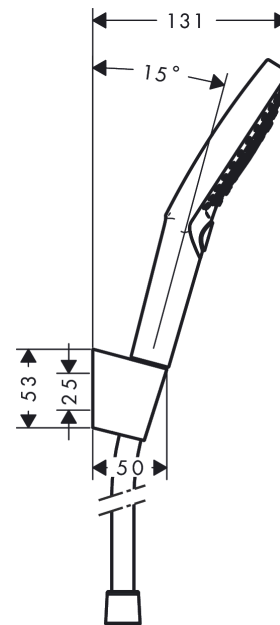
Technology



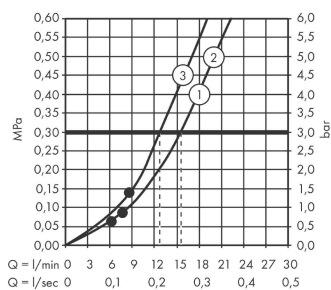
Product image



Scale drawing



Flowchart



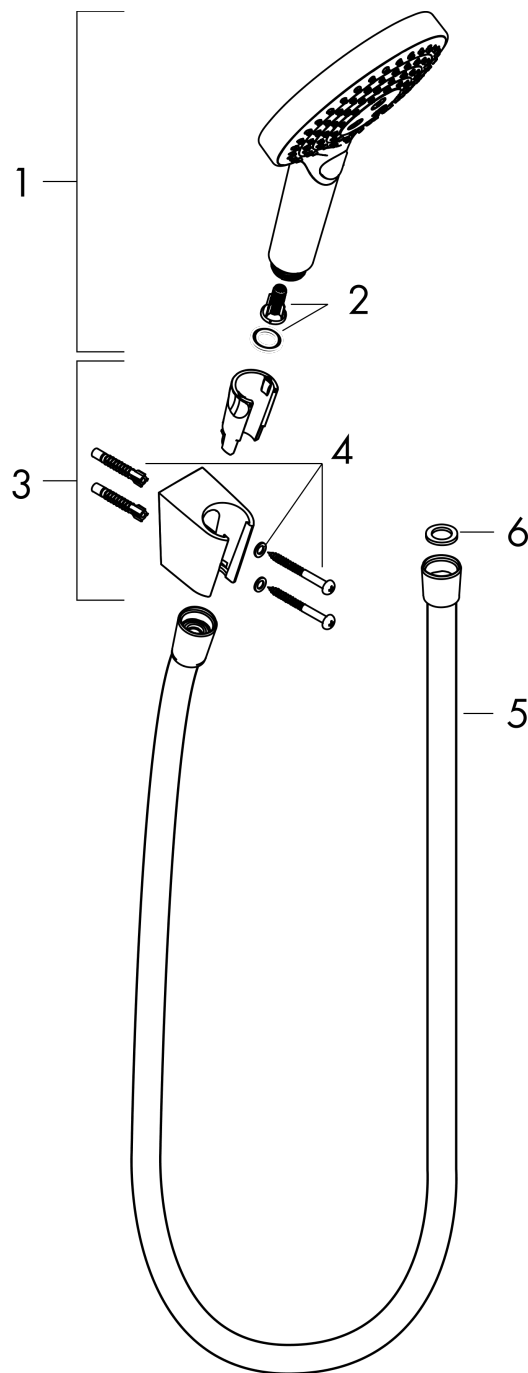
The consumption was measured in combination with the appropriate fittings (thermostat/mixer/in-wall valve) to reflect actual application in practice.

Raindance Select S
Shower holder set 120 3jet with shower hose 160 cm
 Surfaces: **Chrome** Article Number: **26721000**



Exploded Drawing

Year of production: >10/14



Raindance Select S
Shower holder set 120 3jet with shower hose 160 cm
 Surfaces: **Chrome** Article Number: **26721000**



Spare part list

Year of production: >10/14

Pos.	Description	Article Number	Price	PU
1	handshower	26530000	-	1
2	filter insert	97708000	€ 5,24	1
3	shower holder	28331000	-	1
4	mounting set	40915000	€ 11,31	1
5	shower hose Isiflex'B 1,60 m	28276000	-	1
6	seal	98058000	€ 3,21	1