

Raindance S

Overhead shower 240 1jet with shower arm

Surfaces: **Chrome** Article Number: **27474000**



Description

product features

- consists of: overhead shower, shower arm
- shower head size: 240 mm
- spray type: RainAir
- ball-joint: overhead shower angle adjustable
- material spray disc: metal
- shower arm length 390 mm
- maximum flow rate at 3 bar: 18 l/min
- flow rate RainAir spray (at 3 bar): 18 l/min
- function from: 10 l/min
- minimum flow pressure: 1 bar
- spray disc removable for cleaning
- installation: wall
- connection thread G ½
- connection dimension: DN15
- suitable for continuous flow water heaters

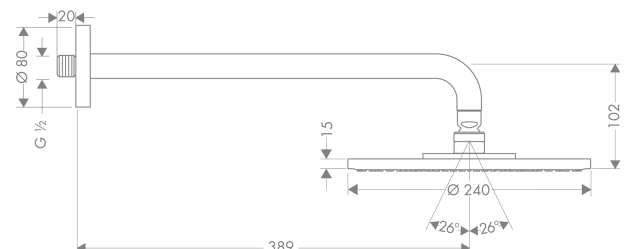
Technology



Product image



Scale drawing



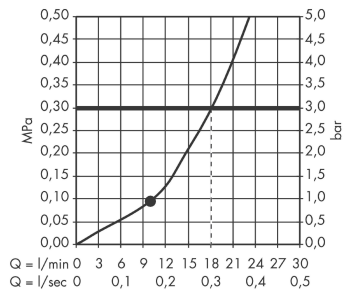
Raindance S

Overhead shower 240 1jet with shower arm

Surfaces: **Chrome** Article Number: **27474000**



Flowchart



The consumption was measured in combination with the appropriate fittings (thermostat/mixer/ in-wall valve) to reflect actual application in practice.

Raindance S

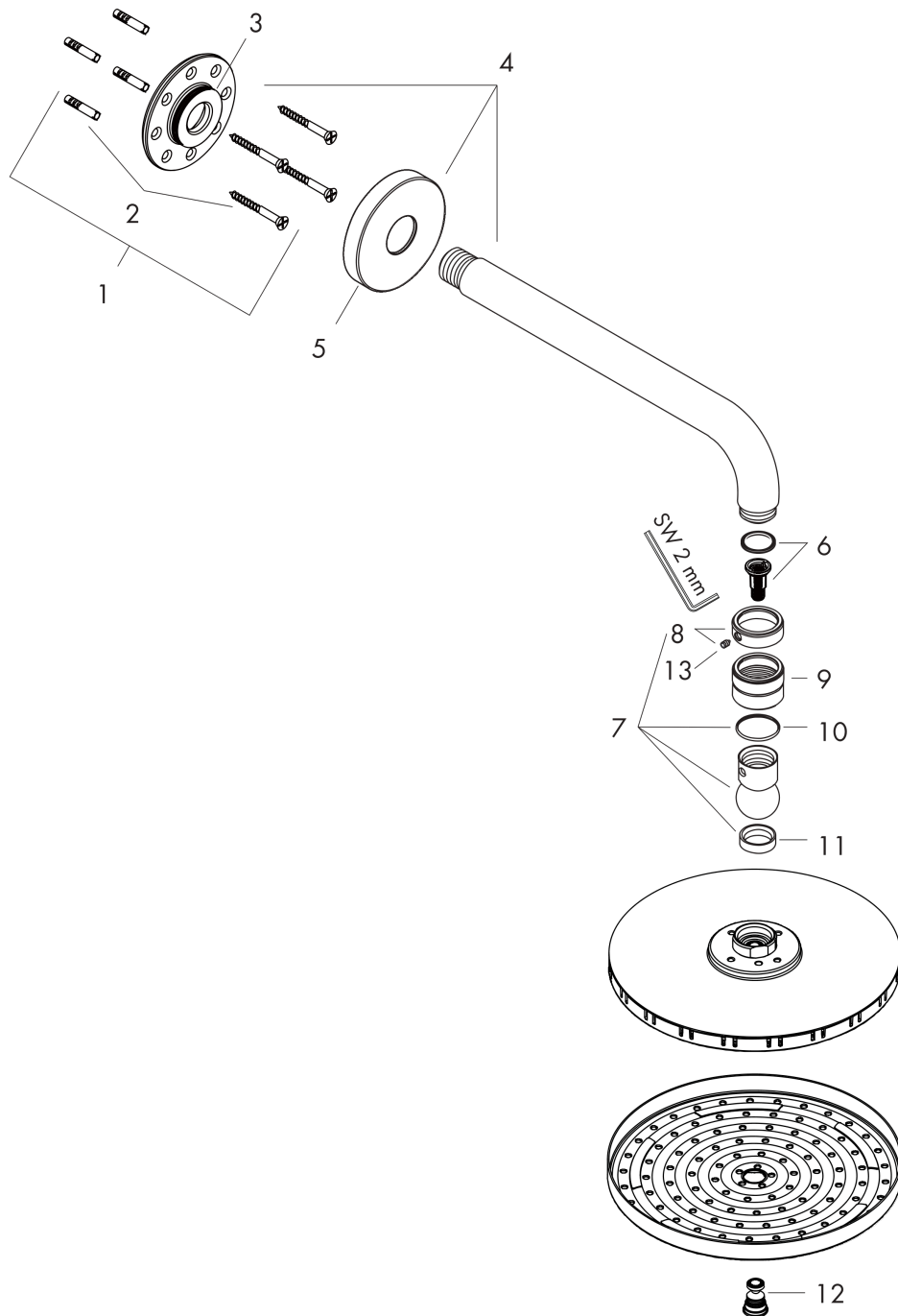
Overhead shower 240 1jet with shower arm

Surfaces: **Chrome** Article Number: **27474000**



Exploded Drawing

Year of production: >05/11



Raindance S**Overhead shower 240 1jet with shower arm**Surfaces: **Chrome** Article Number: **27474000****Spare part list**

Year of production: >05/11

Pos.	Description	Article Number	Price	PU
1	mounting kit	95208000	€ 57,12	1
2	mounting set	40916000	€ 5,24	1
3	O-ring 34x2	98383000	€ 5,24	1
4	shower arm 390 mm	27413000	-	1
5	escutcheon Ø 80 mm	98940000	€ 22,37	1
6	filter insert	97708000	€ 5,24	1
7	ball joint	98941000	€ 35,94	1
8	lock washer	98942000	€ 18,33	1
9	nut	97958000	€ 5,24	1
10	lever collar	97536000	€ 5,24	1
11	seal	97606000	€ 5,24	1
12	air jet	95794000	€ 28,20	1
13	hollow set screw M4x6	97767000	€ 3,21	1
a	filter packing	94246000	€ 3,21	1
b	non return valve	95699000	€ 13,92	1