

## Raindance S

### Overhead shower 240 1jet with ceiling connector

Surfaces: **Chrome** Article Number: **27477000**



#### Description

##### product features

- consists of: overhead shower, ceiling connector
- shower head size: 240 mm
- spray type: RainAir
- ball-joint: overhead shower angle adjustable
- material spray disc: metal
- ceiling connection length: 100 mm
- maximum flow rate at 3 bar: 18 l/min
- flow rate RainAir spray (at 3 bar): 18 l/min
- minimum flow pressure: 1 bar
- spray disc removable for cleaning
- installation: ceiling
- connection thread G ½
- connection dimension: DN15
- suitable for continuous flow water heaters

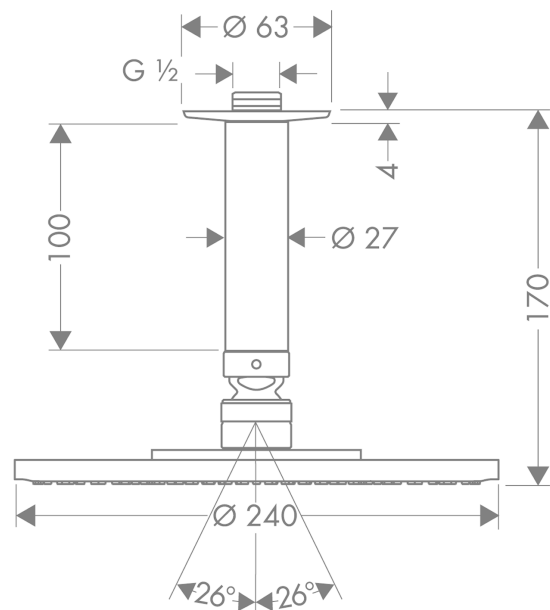
#### Technology



#### Product image



#### Scale drawing



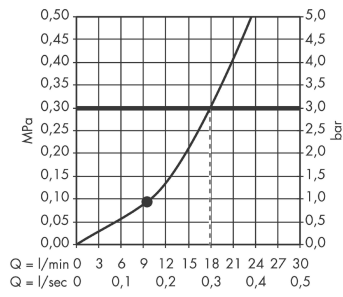
**Raindance S**

**Overhead shower 240 1jet with ceiling connector**

Surfaces: **Chrome** Article Number: **27477000**



**Flowchart**



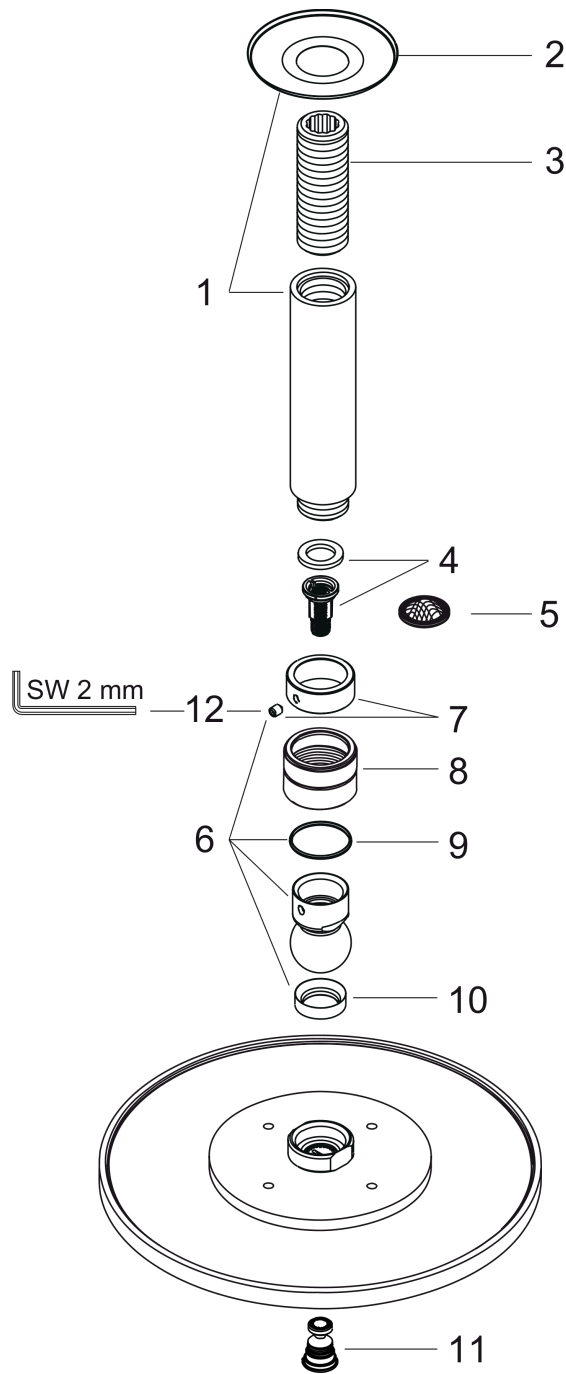
The consumption was measured in combination with the appropriate fittings (thermostat/mixer/ in-wall valve) to reflect actual application in practice.

**Raindance S**  
**Overhead shower 240 1jet with ceiling connector**  
 Surfaces: **Chrome** Article Number: **27477000**



**Exploded Drawing**

Year of production: >08/11



**Raindance S****Overhead shower 240 1jet with ceiling connector**Surfaces: **Chrome** Article Number: **27477000****Spare part list**

Year of production: &gt;08/11

<b>Pos.</b>	<b>Description</b>	<b>Article Number</b>	<b>Price</b>	<b>PU</b>
1	shower arm	27479000	-	1
2	escutcheon	97734000	€ 8,45	1
3	connecting thread	95188000	€ 28,20	1
4	filter insert	97708000	€ 5,24	1
5	filter packing	94246000	€ 3,21	1
6	ball joint	98941000	€ 35,94	1
7	lock washer	98942000	€ 18,33	1
8	nut	97958000	€ 5,24	1
9	lever collar	97536000	€ 5,24	1
10	seal	97606000	€ 5,24	1
11	air jet	95794000	€ 28,20	1
12	hollow set screw M4x6	97767000	€ 3,21	1
a	non return valve	95699000	€ 13,92	1