

Raindance Rainfall

Overhead shower 150 1jet

Surfaces: **Chrome** Article Number: **26442000**



Description

product features

- shower head size: 153 mm
- spray type: RainFlow
- ball-joint: overhead shower angle adjustable
- maximum flow rate at 3 bar: 18 l/min
- flow rate RainFlow spray (at 3 bar): 18 l/min
- minimum flow pressure: 1,7 bar
- installation: wall
- connection thread G 1/2
- connection dimension: DN15
- suitable for continuous flow water heaters

Technology



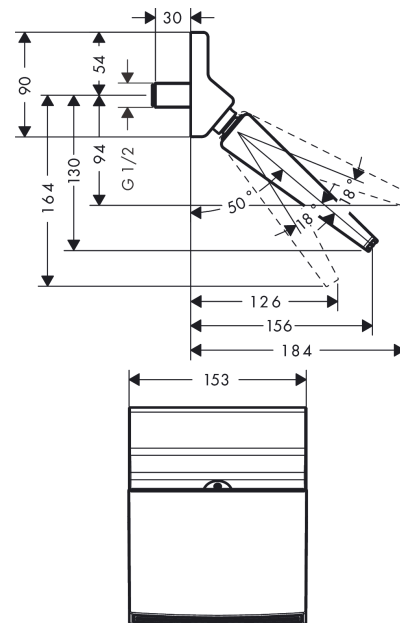
Certificates



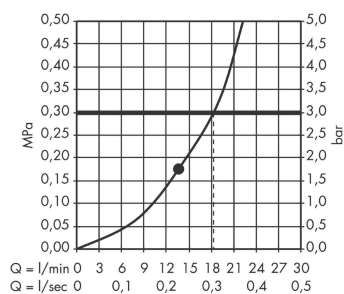
Product image



Scale drawing



Flowchart



The consumption was measured in combination with the appropriate fittings (thermostat/mixer/ in-wall valve) to reflect actual application in practice.

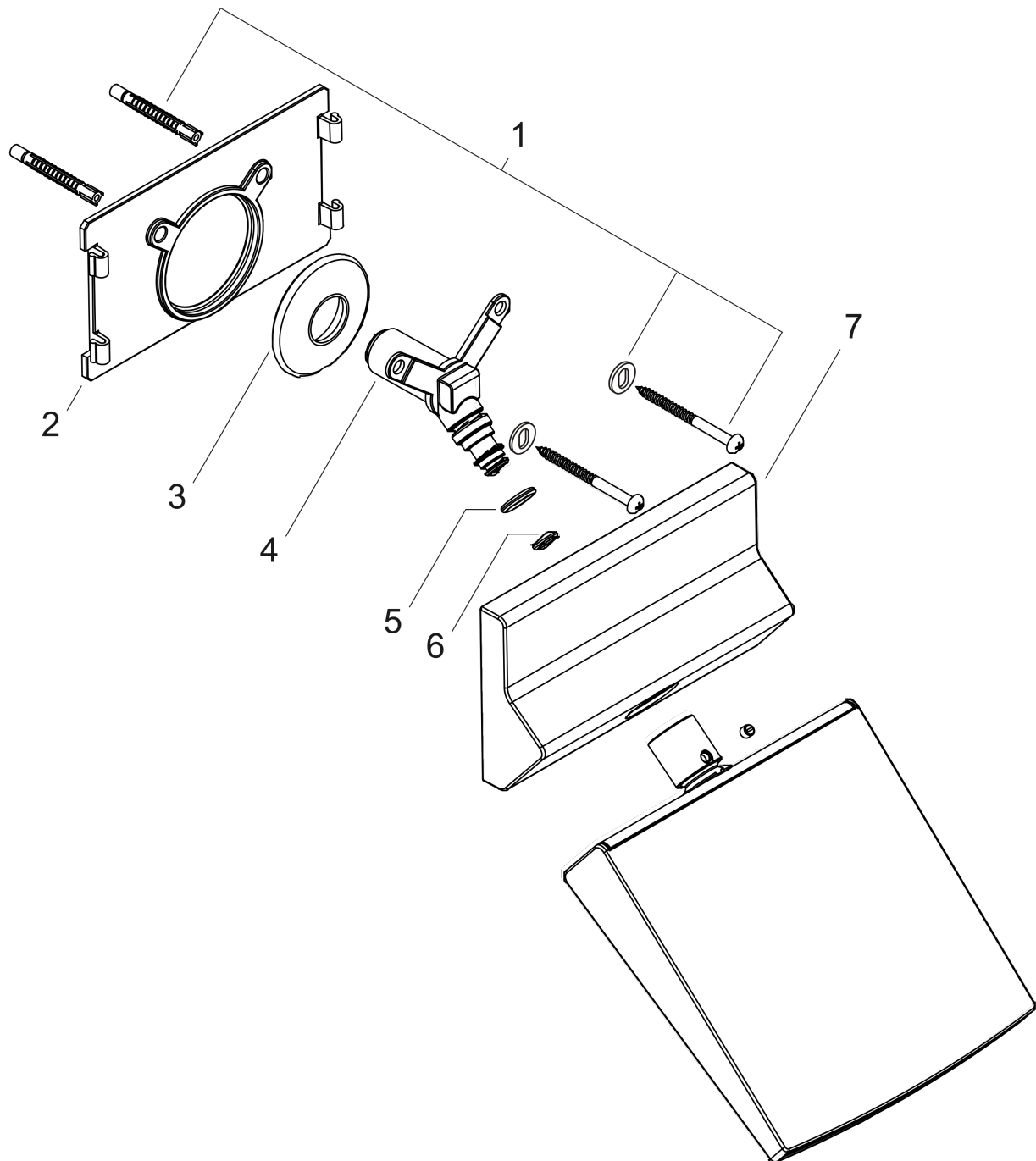
Raindance Rainfall
Overhead shower 150 1jet

Surfaces: **Chrome** Article Number: **26442000**



Exploded Drawing

Year of production: >10/12



Raindance Rainfall

Overhead shower 150 1jet

Surfaces: **Chrome** Article Number: **26442000**



Spare part list

Year of production: >10/12

Pos.	Description	Article Number	Price	PU
1	mounting set	96179000	€ 11,31	1
2	mounting plate	98347000	€ 18,33	1
3	support element	98557000	€ 5,24	1
4	connection angel	98346000	€ 13,92	1
5	O-ring 13x2,5	98428000	€ 3,21	1
6	O-ring 8x2	98112000	€ 3,21	1
7	escutcheon	98345000	€ 57,12	1