

Rainmaker Select

Overhead shower 460 2jet with ceiling connector

Surfaces: **White/Chrome** Article Number: **24004400**



Description

product features

- consists of: overhead shower, ceiling connector, escutcheon
- shower head size: 466 x 300 mm
- spray type: Rain, RainStream
- material spray disc: plexiglas
- easy cleanable spray disc in glass optics
- brass ceiling connector
- ceiling connection length: 100 mm
- maximum flow rate at 3 bar: 21 l/min
- flow rate Rain spray (at 3 bar): 21 l/min
- flow rate RainStream spray (at 3 bar): 18 l/min
- function from: 12 l/min
- minimum flow pressure: 1,5 bar
- the 2 spray zones must be controlled via 2 valves or a diverter valve with 2 outlets
- spray disc removable for cleaning
- overhead shower removable for cleaning
- installation: ceiling
- connection dimension: DN15
- not suitable for continuous flow water heaters
- not included: basic set

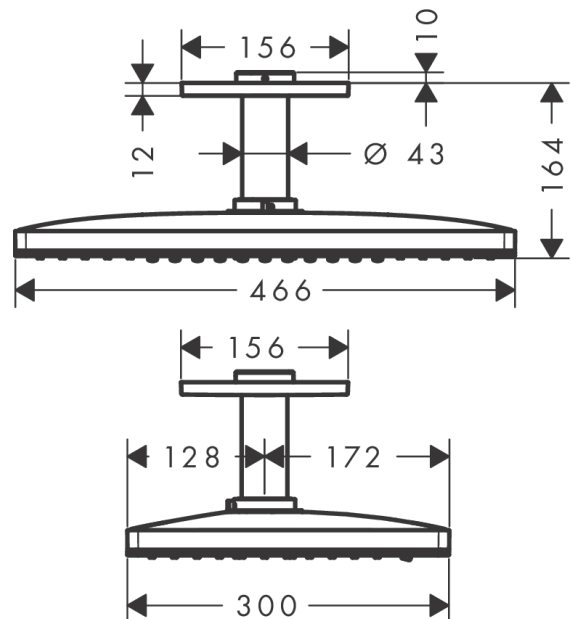
Technology



Product image



Scale drawing



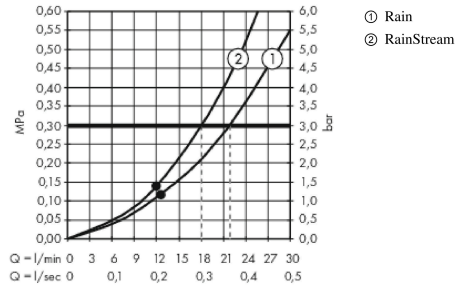
Rainmaker Select

Overhead shower 460 2jet with ceiling connector

Surfaces: **White/Chrome** Article Number: **24004400**



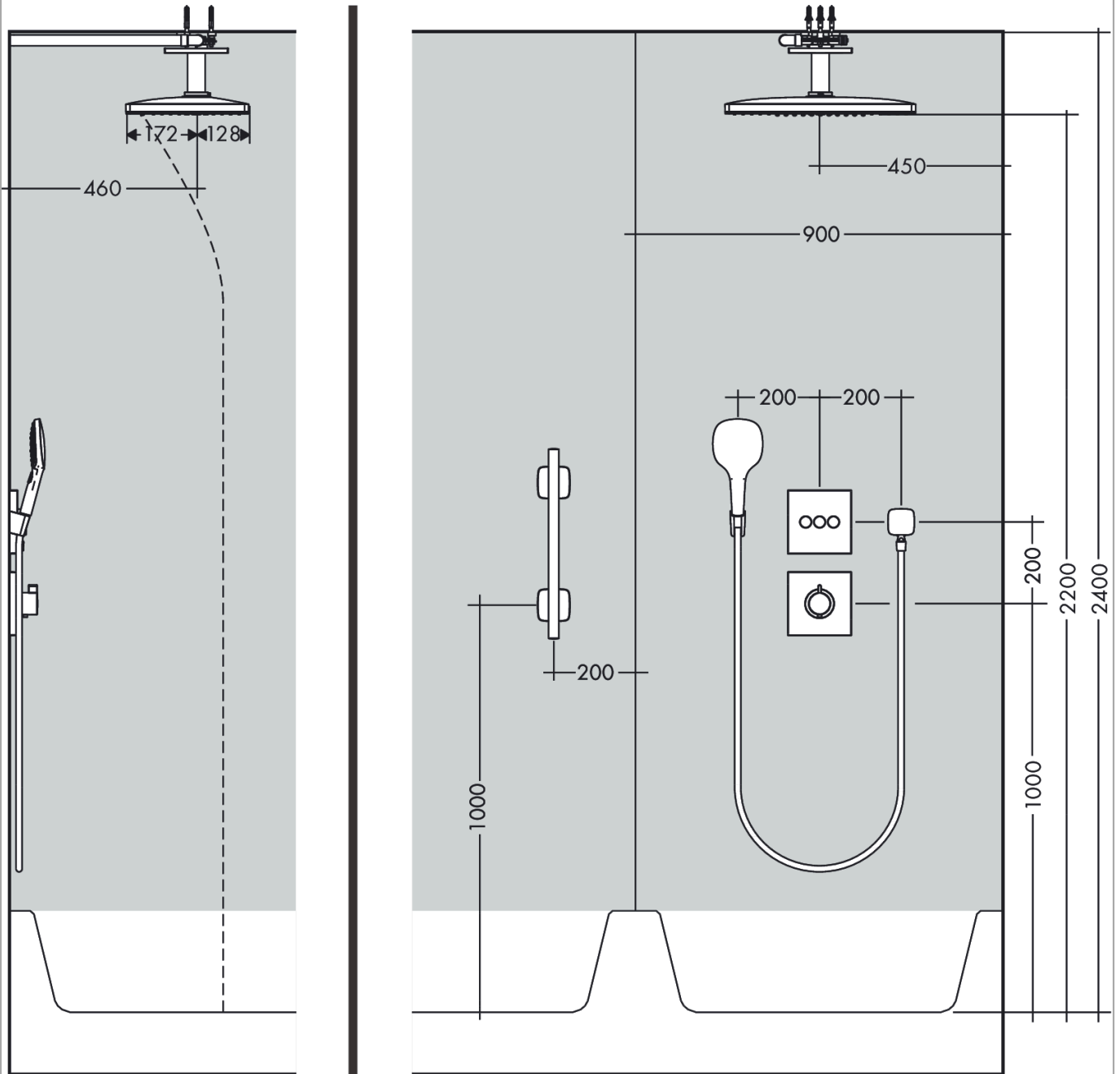
Flowchart



Rainmaker Select
Overhead shower 460 2jet with ceiling connector
Surfaces: **White/Chrome** Article Number: **24004400**



Installation examples

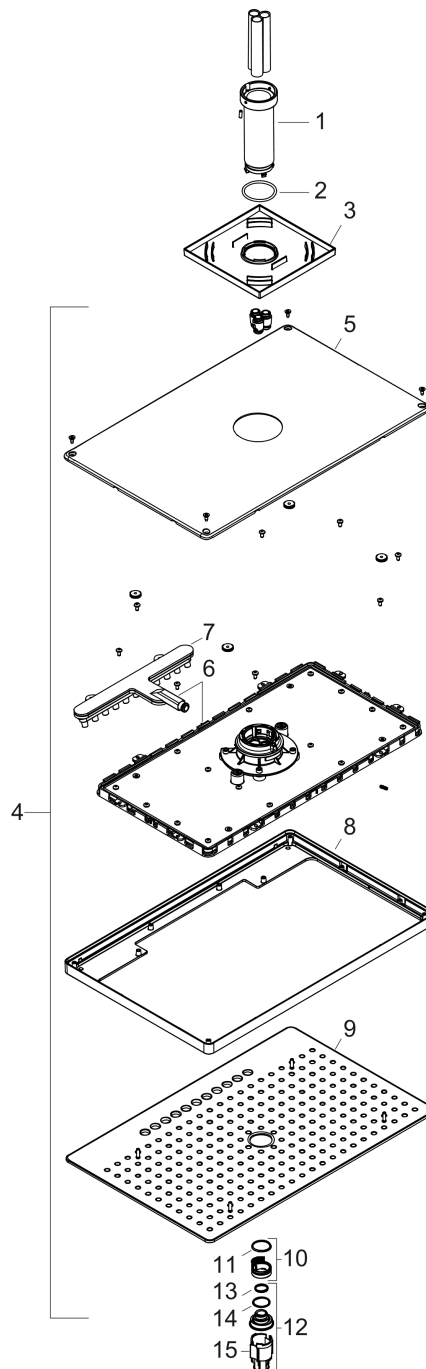


Rainmaker Select
Overhead shower 460 2jet with ceiling connector
 Surfaces: **White/Chrome** Article Number: **24004400**



Exploded Drawing

Year of production: >07/15



Rainmaker Select**Overhead shower 460 2jet with ceiling connector**Surfaces: **White/Chrome** Article Number: **24004400****Spare part list**

Year of production: >07/15

Pos.	Description	Article Number	Price	PU
1	sleeve	92709000	€ 203,97	1
2	O-ring 42x3,5	92708000	€ 3,21	1
3	escutcheon 155 / 155 mm	92710000	€ 57,12	1
4	head shower	92682000	€ 2.653,46	1
5	cover	93392000	-	1
6	cartridge, assy	93389000	€ 401,27	1
7	spray insert	92923000	€ 86,16	1
8	frame	93391000	€ 539,55	1
9	spray body	92704000	€ 1.091,94	1
10	filter	92683000	€ 18,33	1
11	O-ring 24x2	98388000	€ 3,21	1
12	spray insert	92685000	€ 162,08	1
13	O-ring 15x2	98163000	€ 3,21	1
14	O-ring 21x2	98205000	€ 5,24	1
15	special tool	92686000	€ 8,45	1
a	base body	24010180	-	1
b	Grease	90920000	€ 13,92	1
c	extension set	35288000	-	1
d	adapter for exchanged connections	93941000	€ 8,45	1