

## Raindance E

### Overhead shower 360 1jet with ceiling connector

Surfaces: **Chrome** Article Number: **27381000**



#### Description

##### product features

- consists of: overhead shower, ceiling connector
- shower head size: 360 x 190 mm
- spray type: RainAir
- ball-joint: overhead shower angle adjustable
- material spray disc: metal
- brass ceiling connector
- ceiling connection length: 100 mm
- maximum flow rate at 3 bar: 16,5 l/min
- flow rate RainAir spray (at 3 bar): 16,5 l/min
- minimum flow pressure: 1,3 bar
- spray disc removable for cleaning
- installation: ceiling
- connection thread G ½
- connection dimension: DN15

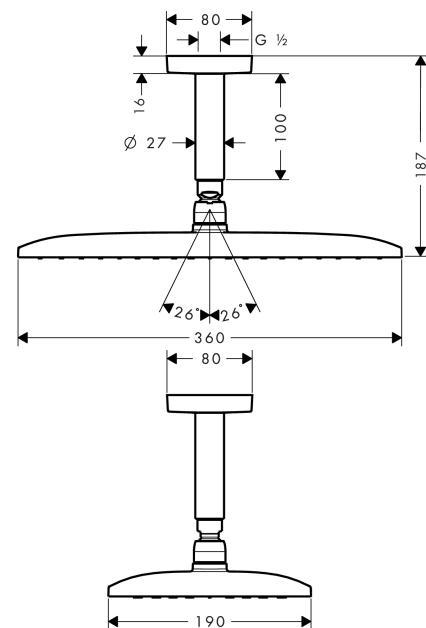
#### Technology



#### Product image



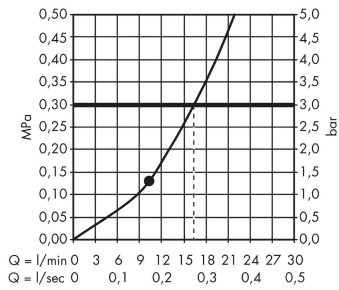
#### Scale drawing



**Raindance E**  
**Overhead shower 360 1jet with ceiling connector**  
 Surfaces: **Chrome** Article Number: **27381000**



**Flowchart**



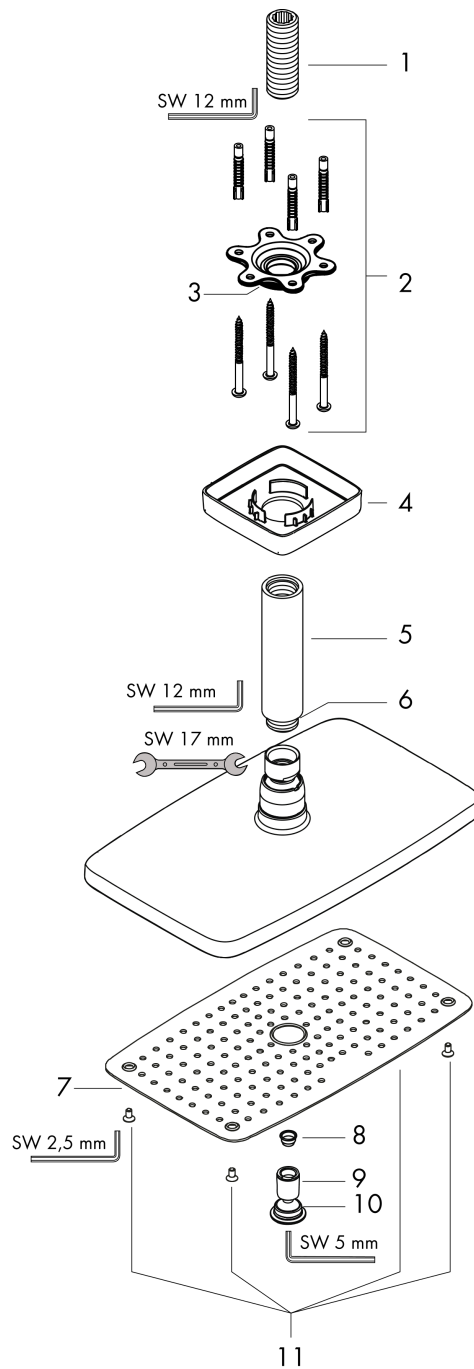
The consumption was measured in combination with the appropriate fittings (thermostat/mixer/in-wall valve) to reflect actual application in practice.

**Raindance E**  
**Overhead shower 360 1jet with ceiling connector**  
 Surfaces: **Chrome** Article Number: **27381000**



**Exploded Drawing**

Year of production: >12/20



## Raindance E

### Overhead shower 360 1jet with ceiling connector

Surfaces: **Chrome** Article Number: **27381000**



#### Spare part list

Year of production: >12/20

Pos.	Description	Article Number	Price	PU
1	connecting thread	95188000	€ 28,20	1
2	mounting kit	95208000	€ 57,12	1
3	O-ring 34x2	98383000	€ 5,24	1
4	escutcheon	95514000	€ 22,37	1
5	shower arm	27479000	-	1
6	O-ring 16x2	98133000	€ 3,21	1
7	spray body	92295000	€ 124,95	1
8	filter	97735000	€ 3,21	1
9	air jet	95416000	€ 35,94	1
10	O-ring 15x2	98163000	€ 3,21	1
11	set of screws	92834000	€ 11,31	1