

## Raindance E

### Overhead shower 300 1jet with shower arm

Surfaces: **Chrome** Article Number: **26238000**



#### Description

##### product features

- consists of: overhead shower, shower arm
- shower head size: 300 x 300 mm
- spray type: RainAir
- ball-joint: overhead shower angle adjustable
- material spray disc: metal
- shower arm length 390 mm
- maximum flow rate at 3 bar: 17 l/min
- flow rate RainAir spray (at 3 bar): 17 l/min
- minimum flow pressure: 1,6 bar
- spray disc removable for cleaning
- installation: wall
- connection thread G ½
- connection dimension: DN15
- suitable for continuous flow water heaters

#### Technology



#### Design awards



reddot winner 2020

reddot winner 2021

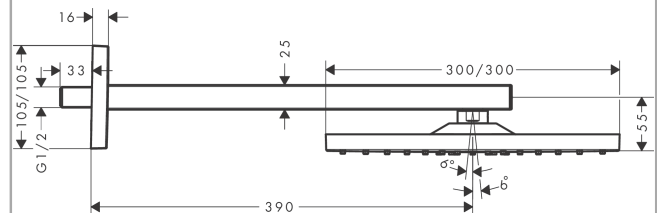
#### Certificates



#### Product image



#### Scale drawing



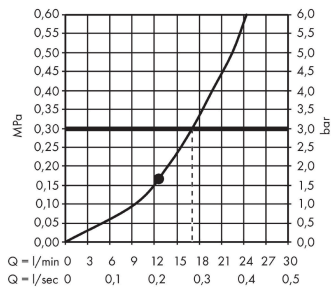
**Raindance E**

**Overhead shower 300 1jet with shower arm**

Surfaces: **Chrome** Article Number: **26238000**



**Flowchart**



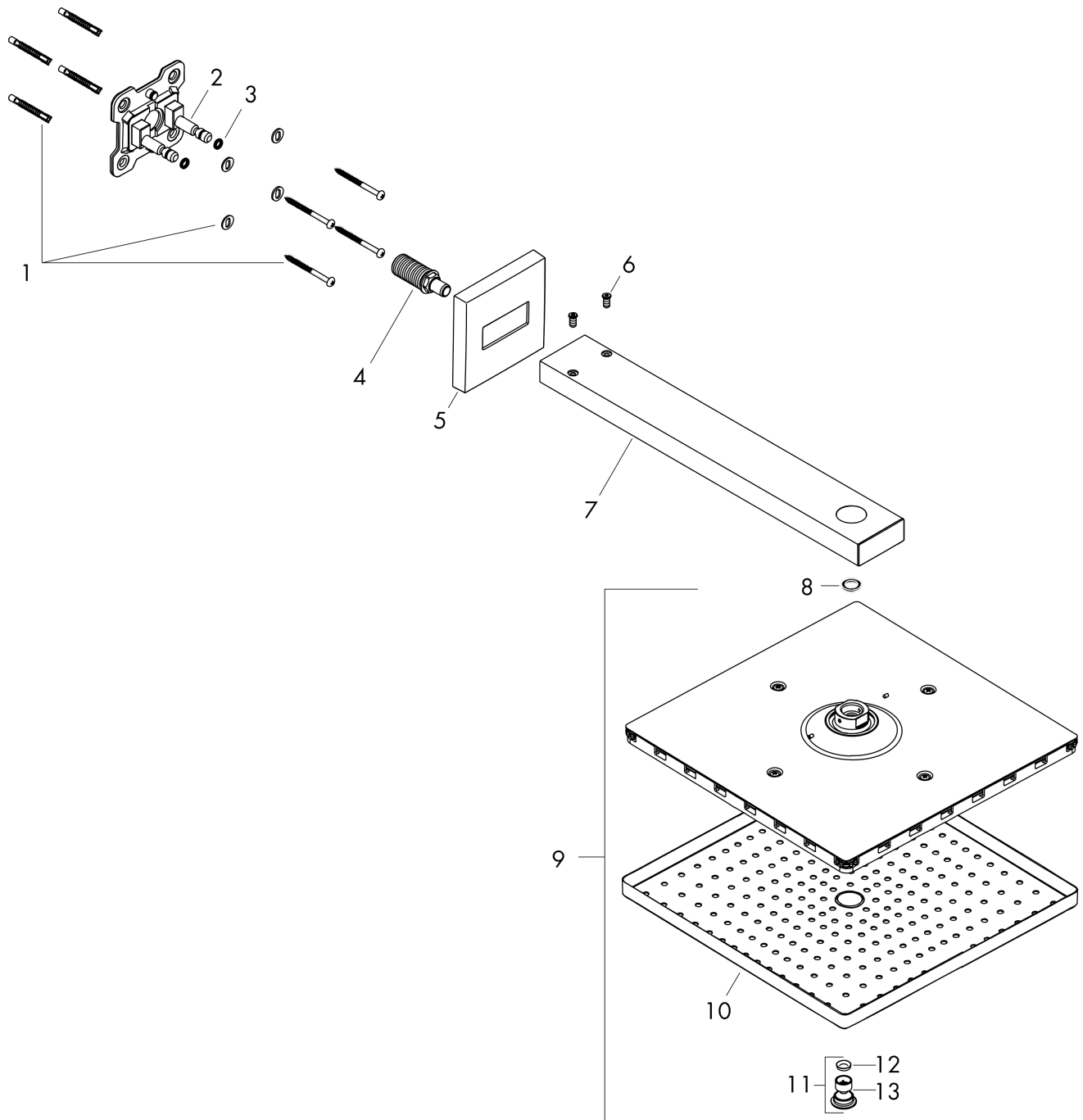
The consumption was measured in combination with the appropriate fittings (thermostat/mixer/in-wall valve) to reflect actual application in practice.

**Raindance E**  
**Overhead shower 300 1jet with shower arm**  
 Surfaces: **Chrome** Article Number: **26238000**



**Exploded Drawing**

Year of production: >06/17



**Raindance E****Overhead shower 300 1jet with shower arm**Surfaces: **Chrome** Article Number: **26238000****Spare part list**

Year of production: &gt;06/17

Pos.	Description	Article Number	Price	PU
1	mounting set	96179000	€ 11,31	1
2	wall flange	93441000	€ 57,12	1
3	O-ring 6x2	98458000	€ 3,21	1
4	connecting thread	93416000	€ 44,63	1
5	escutcheon	93126000	€ 35,94	1
6	screw	93431000	€ 8,45	1
7	shower arm	93221000	€ 249,90	1
8	seal	98058000	€ 3,21	1
9	head shower	93230000	€ 539,55	1
10	spray body	94580000	€ 162,08	1
11	air jet	93127000	€ 28,20	1
12	filter	93128000	€ 8,45	1
13	O-ring 15x2	98163000	€ 3,21	1