

Raindance E

Overhead shower 240 1jet with shower arm

Surfaces: **Chrome** Article Number: **27370000**



Description

product features

- consists of: overhead shower, shower arm
- shower head size: 250 x 150 mm
- spray type: RainAir
- ball-joint: overhead shower angle adjustable
- material spray disc: metal
- shower arm length 240 mm
- maximum flow rate at 3 bar: 17,6 l/min
- flow rate RainAir spray (at 3 bar): 17,6 l/min
- minimum flow pressure: 1,1 bar
- spray disc removable for cleaning
- installation: wall
- connection thread G ½
- connection dimension: DN15
- suitable for continuous flow water heaters

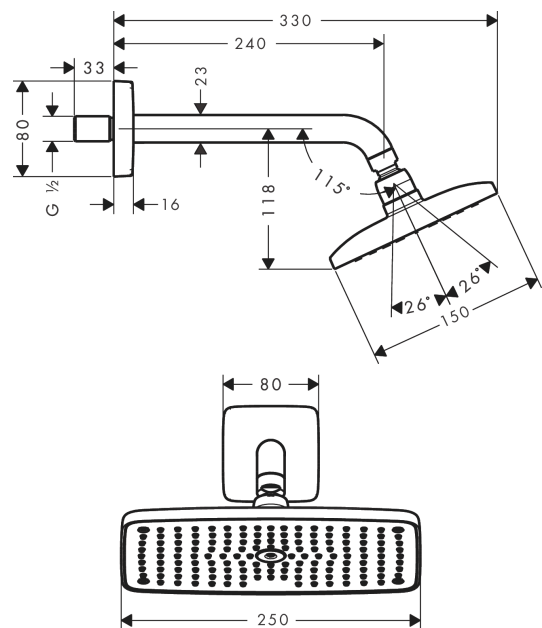
Technology



Product image



Scale drawing



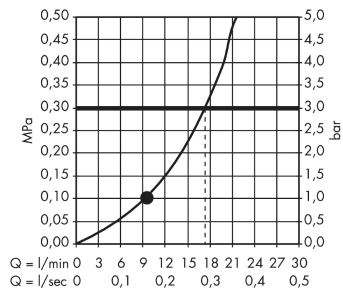
Raindance E

Overhead shower 240 1jet with shower arm

Surfaces: **Chrome** Article Number: **27370000**



Flowchart



The consumption was measured in combination with the appropriate fittings (thermostat/mixer/in-wall valve) to reflect actual application in practice.

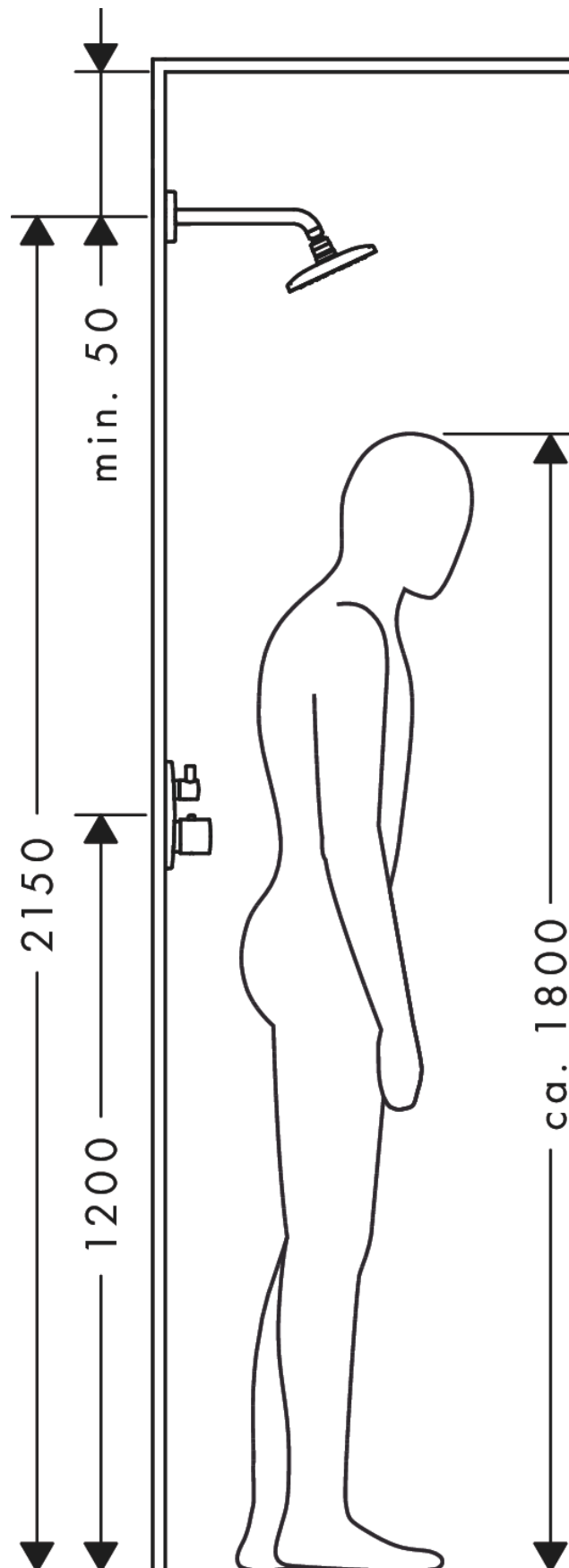
Raindance E

Overhead shower 240 1jet with shower arm

Surfaces: **Chrome** Article Number: **27370000**



Installation examples

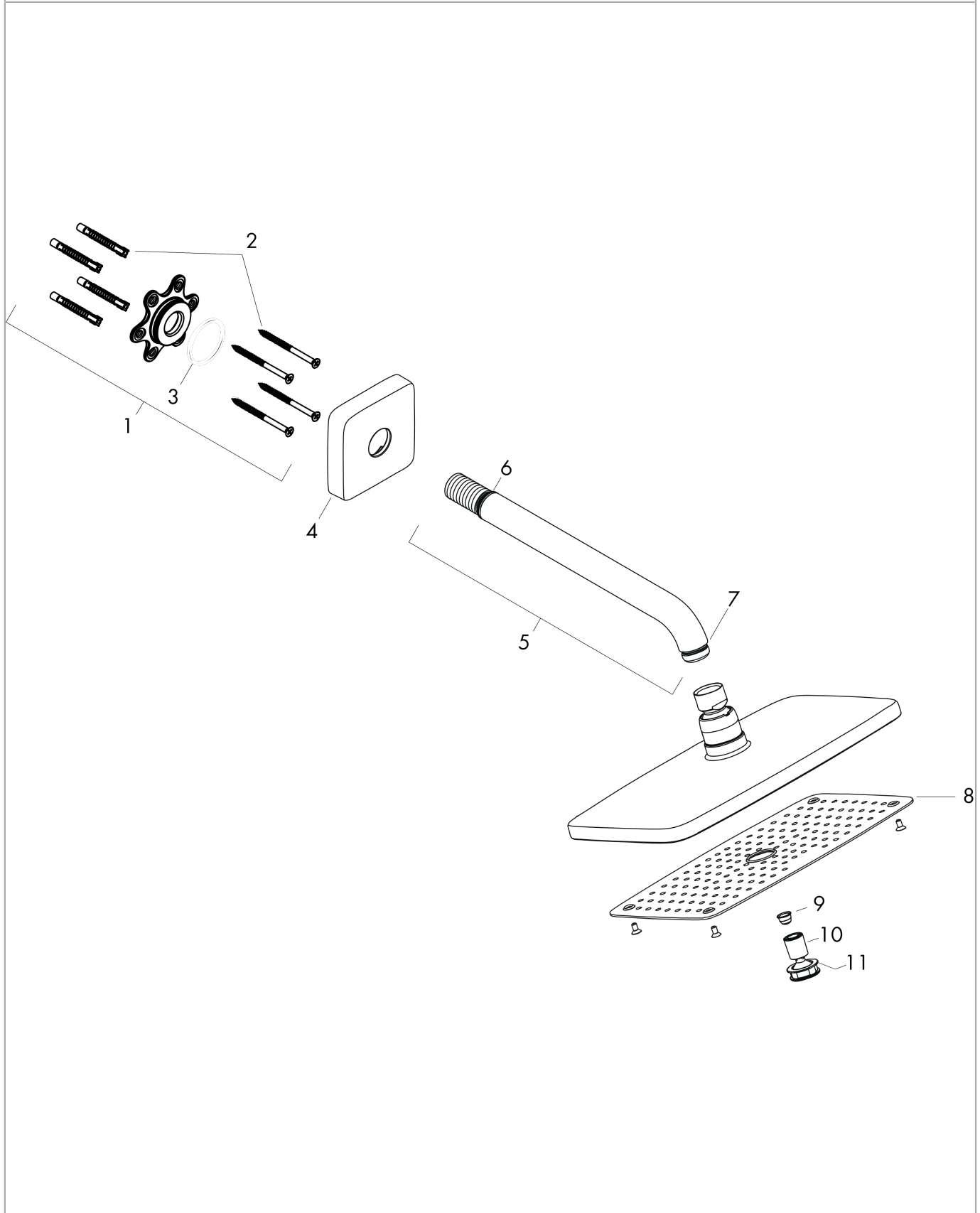


Raindance E
Overhead shower 240 1jet with shower arm
 Surfaces: **Chrome** Article Number: **27370000**



Exploded Drawing

Year of production: >12/20



Raindance E**Overhead shower 240 1jet with shower arm**Surfaces: **Chrome** Article Number: **27370000****Spare part list**

Year of production: >12/20

Pos.	Description	Article Number	Price	PU
1	mounting kit	95208000	€ 57,12	1
2	mounting set	40916000	€ 5,24	1
3	O-ring 34x2	98383000	€ 5,24	1
4	escutcheon	95515000	€ 28,20	1
5	shower arm	92150000	€ 100,44	1
6	O-ring 20x1,5	98197000	€ 3,21	1
7	O-ring 16x2	98133000	€ 3,21	1
8	spray body	92294000	€ 100,44	1
9	filter	97735000	€ 3,21	1
10	air jet	95416000	€ 35,94	1
11	O-ring 15x2	98163000	€ 3,21	1