

Novus

Single lever bath mixer for exposed installation

Surfaces: **chrome** Article Number: **71040000**



Description

product features

- normal spray
- min. operating pressure: 1 bar
- projection 192 mm
- connection type: s-shaped connections
- centre distance: 150 ± 12 mm
- flow rate hand shower connection at 0.3 MPa: 16 l/min
- flow rate bath filler (at 0.3 MPa): 19 l/min
- ceramic cartridge
- temperature limitation adjustable
- with automatic resetting
- non-return valve
- with silencer
- suitable for continuous flow water heaters
- connection dimension: DN15
- PA-IX 7321/IICB
- ACS 17 ACC LY 717, valide jusqu'au 17.11.2022

Technology



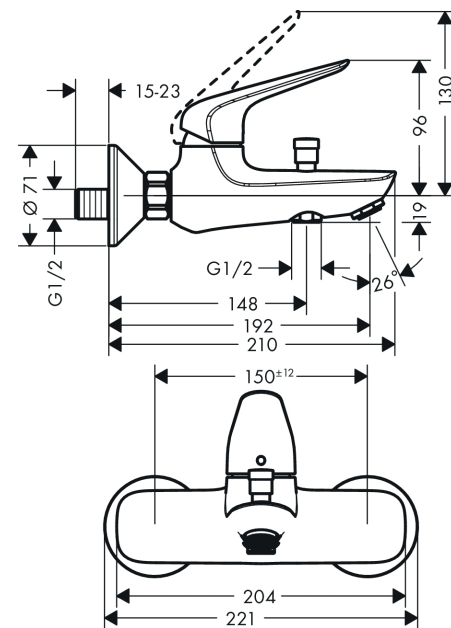
Certificates



Product image



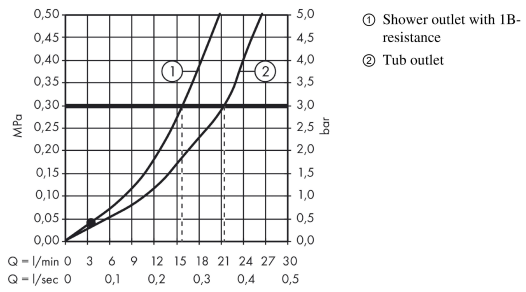
Scale drawing



Novus
Single lever bath mixer for exposed installation
 Surfaces: **chrome** Article Number: **71040000**



Flowchart



Novus

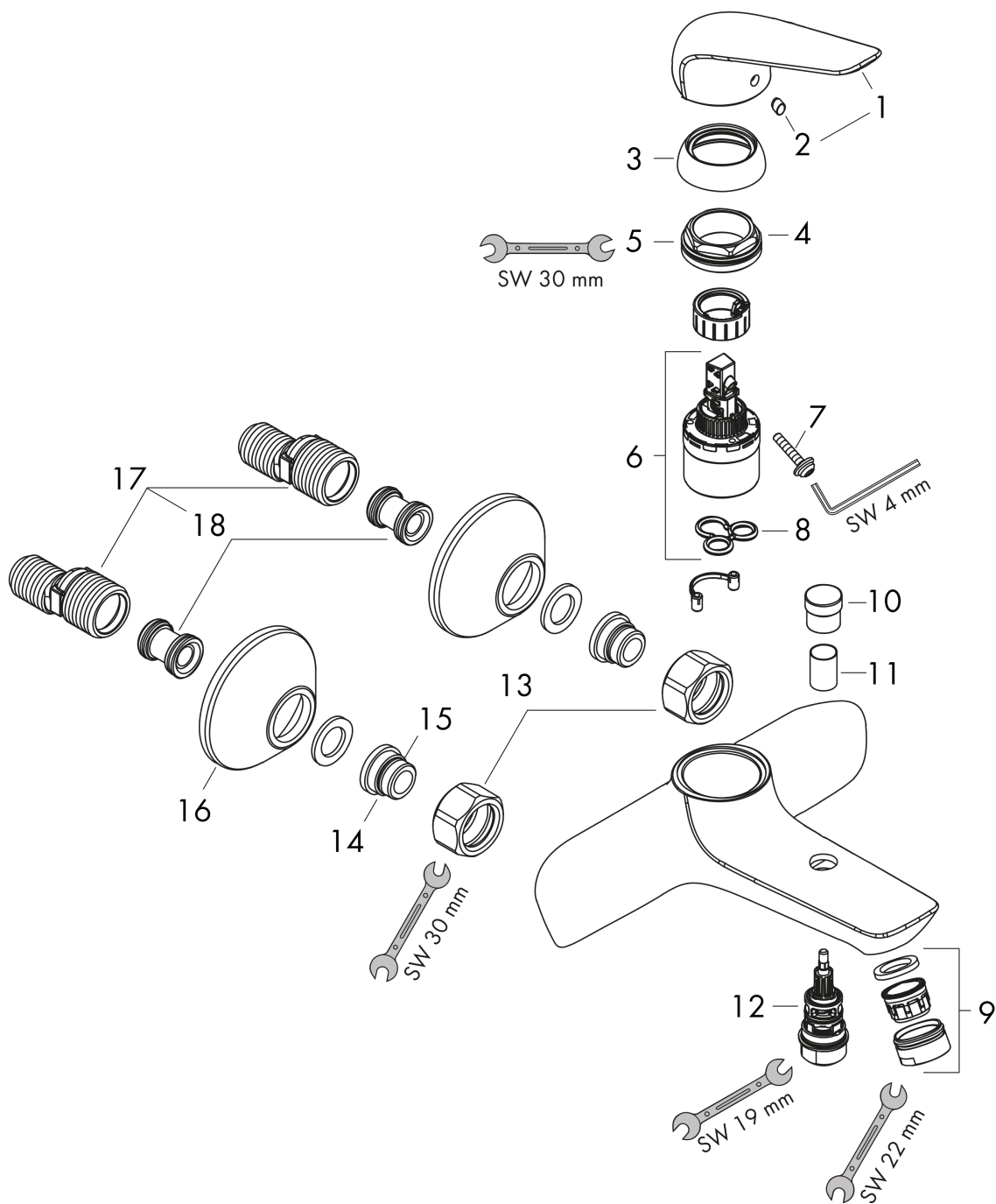
Single lever bath mixer for exposed installation

Surfaces: **chrome** Article Number: **71040000**



Exploded Drawing

Year of production: >10/17



Novus

Single lever bath mixer for exposed installation

Surfaces: **chrome** Article Number: **71040000**



Spare part list

Year of production: >10/17

Pos.	Description	Article Number	PC	PU
1	handle	93192000	0	1
2	screw cover	96338000	0	1
3	flange	97406000	0	1
4	nut	97209000	0	1
5	O-Ring 32x2	98193000	0	1
6	cartridge, assy	92730000	0	1
7	locking screw for handle	95140000	0	1
8	seal	95008000	0	1
9	aerator M24x1 (30 l/min)	96512000	0	1
10	diverter knob	97981000	0	1
11	sleeve	97979000	0	1
12	selector	97978000	0	1
13	set of nuts	96157000	0	1
14	connecting thread	97220000	0	1
15	O-ring 15x2	98163000	0	1
16	escutcheon Ø 70 mm	94135000	0	1
17	set of S-unions (±12 mm)	94140000	0	1
18	noise reduction	96429000	0	1