

## Metropol

Single lever basin mixer 260 with lever handle for washbowls with push-open waste set

Surfaces: **Chrome** Article Number: **32512000**



### Description

#### product features

- consists of: single lever basin mixer, waste set
- ComfortZone 260
- projection: 204 mm
- spout height: 259 mm
- spray type: normal spray
- maximum flow rate at 3 bar: 5 l/min
- ceramic cartridge
- temperature limitation adjustable
- suitable for continuous flow water heaters
- push-open waste set G 1¼
- material waste set: metal
- connection type: G ¾ connections
- connection dimension: DN15

### Technology



### Design awards



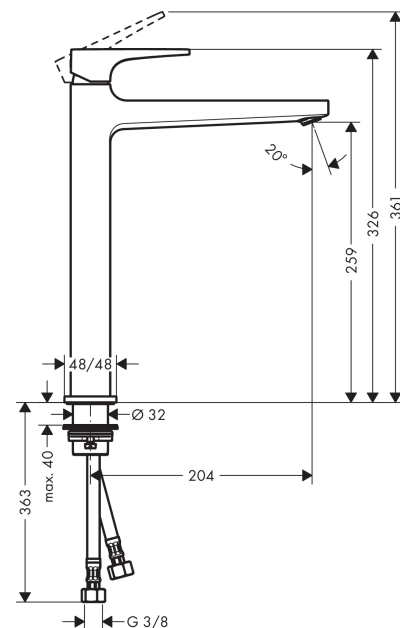
### Certificates



### Product image



### Scale drawing



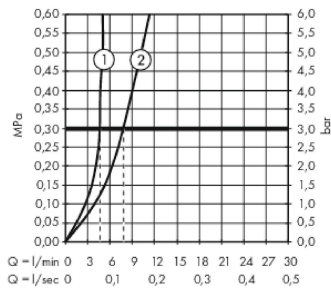
**Metropol**

**Single lever basin mixer 260 with lever handle for washbowls with push-open waste set**

Surfaces: **Chrome** Article Number: **32512000**



**Flowchart**



**Metropol**

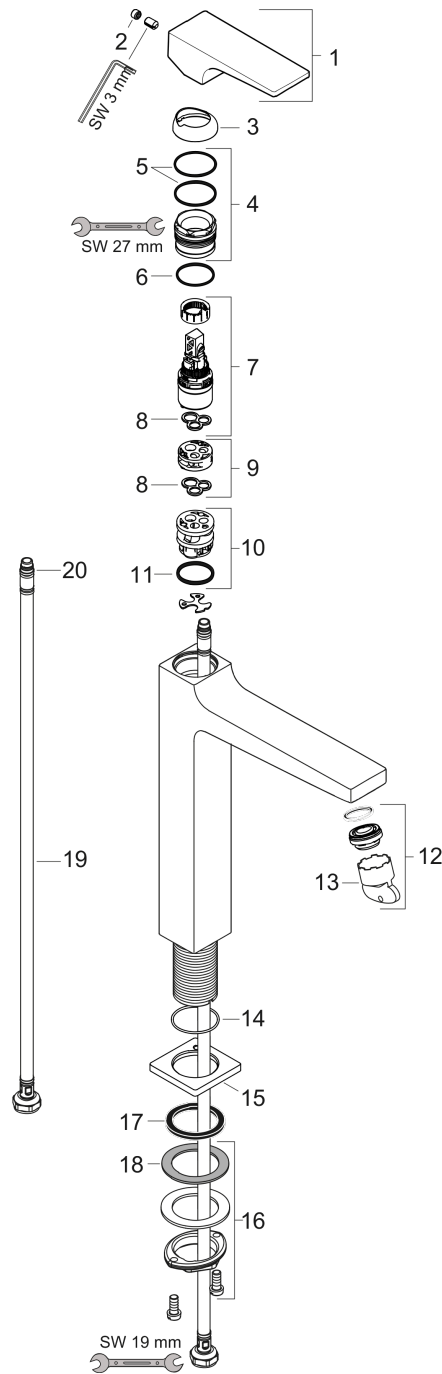
**Single lever basin mixer 260 with lever handle for washbowls with push-open waste set**

Surfaces: **Chrome** Article Number: **32512000**



**Exploded Drawing**

Year of production: >01/17



## Metropol

Single lever basin mixer 260 with lever handle for washbowls with push-open waste set

Surfaces: **Chrome** Article Number: **32512000**



### Spare part list

Year of production: >01/17

Pos.	Description	Article Number	Price	PU
1	handle	92995000	€ 70,57	1
2	screw cover	95704000	€ 3,21	1
3	flange	92625000	€ 28,20	1
4	nut	92689000	€ 22,37	1
5	O-ring 27x1,5	92527000	€ 11,31	1
6	O-ring 25x1,5	98146000	€ 3,21	1
7	cartridge, assy	97685000	€ 57,12	1
8	seal	98865000	€ 28,20	1
9	adapter for cartridge	92628000	€ 18,33	1
10	adapter for cartridge	98866000	€ 28,20	1
11	O-ring 23x2	98398000	€ 3,21	1
12	aerator M24x1 (5 l/min)	92996000	€ 28,20	1
13	service tool	95661000	€ 5,24	1
14	O-ring 32x1,5	92936000	€ 3,21	1
15	escutcheon	93048000	€ 35,94	1
16	fixing set (Ø 32)	13961000	€ 22,37	1
17	flat seal	98749000	€ 5,24	1
18	lever collar	97548000	€ 3,21	1
19	connection hose 600 mm M8x0,75 G3/8	96556000	€ 22,37	1
20	O-ring 6,6x1,6	93019000	€ 3,21	1
21	sealing set	95581000	€ 5,24	1
a	push-open waste set	50100000	-	1
b	fixation extension 35 mm	13898000	€ 70,57	1