

**Metropol**  
**Basin mixer 110 Select with push-open waste set**  
 Surfaces: **Chrome** Article Number: **32571000**

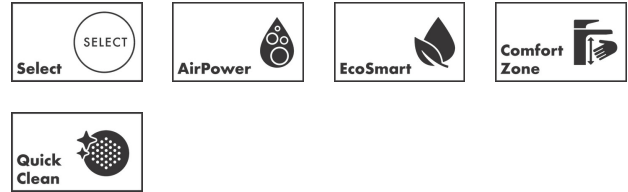


### Description

**product features**

- consists of: Basin mixer, waste set
- ComfortZone 110
- projection: 135 mm
- spout height: 117 mm
- spray type: normal spray
- maximum flow rate at 3 bar: 5 l/min
- Select cartridge with temperature control
- temperature limitation adjustable
- suitable for continuous flow water heaters
- push-open waste set G 1¼
- material waste set: metal
- connection type: G ¾ connections
- connection dimension: DN15

### Technology



### Design awards



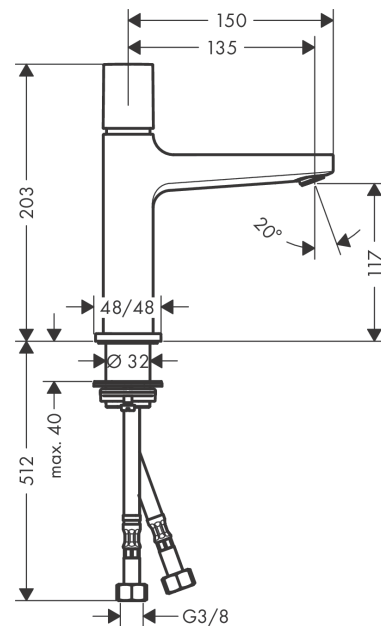
### Certificates



### Product image



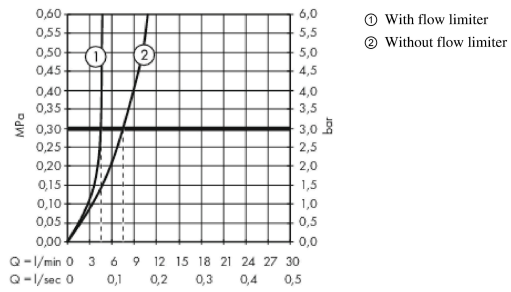
### Scale drawing



**Metropol**  
**Basin mixer 110 Select with push-open waste set**  
 Surfaces: **Chrome** Article Number: **32571000**



**Flowchart**

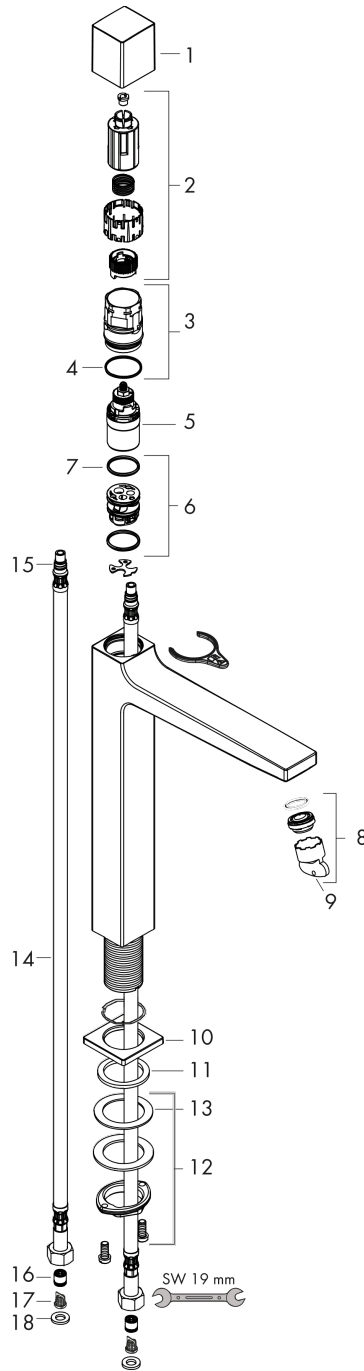


**Metropol**  
**Basin mixer 110 Select with push-open waste set**  
 Surfaces: **Chrome** Article Number: **32571000**



**Exploded Drawing**

Year of production: >03/18



**Metropol**  
**Basin mixer 110 Select with push-open waste set**  
 Surfaces: **Chrome** Article Number: **32571000**



## Spare part list

Year of production: >03/18

Pos.	Description	Article Number	Price	PU
1	handle	93070000	€ 70,57	1
2	adapter for handle	92526000	€ 22,37	1
3	nut	92528000	€ 57,12	1
4	O-ring 27x1,5	92527000	€ 11,31	1
5	cartridge, assy	92529000	€ 100,44	1
6	adapter for cartridge	98866000	€ 28,20	1
7	O-ring 23x2	98398000	€ 3,21	1
8	aerator M24x1 (5 l/min)	92996000	€ 28,20	1
9	service tool	95661000	€ 5,24	1
10	escutcheon	93048000	€ 35,94	1
11	flat seal	98749000	€ 5,24	1
12	fixing set (Ø 32)	13961000	€ 22,37	1
13	lever collar	97548000	€ 3,21	1
14	connection hose 450 mm M8x0,75 G3/8	93405000	€ 35,94	1
15	O-ring 7x1,5	98422000	€ 3,21	1
16	non return valve DW 10	96456000	€ 8,45	1
17	filter	92532000	€ 8,45	1
18	sealing set	92533000	€ 3,21	1
a	push-open waste set	50100000	-	1
b	fixation extension 35 mm	13898000	€ 70,57	1