

Metris

Single lever bath mixer for exposed installation

Surfaces: **Chrome** Article Number: **31480000**



Description

product features

- 2 functions
- projection: 123 - 130.5 mm
- centre distance: 150 ± 12 mm
- spray type mixer: normal spray
- flow rate for bath spout at 3 bar: 21 l/min
- flow rate of hand shower at 3 bar: 8 l/min
- ceramic cartridge
- temperature limitation adjustable
- diverter with automatic resetting
- protected against backflow, according to DIN EN 1717
- with silencer
- suitable for continuous flow water heaters
- connection dimension: DN15
- connection type: s-shaped connections
- min. operating pressure: 1 bar
- max. operating pressure: 10 bar

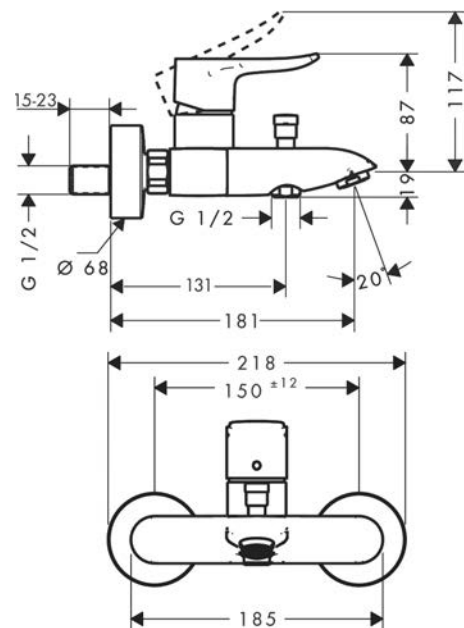
Technology



Product image



Scale drawing



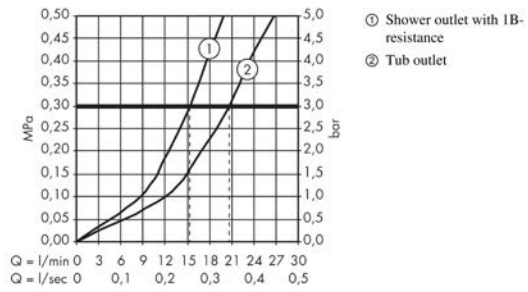
Metris

Single lever bath mixer for exposed installation

Surfaces: **Chrome** Article Number: **31480000**



Flowchart

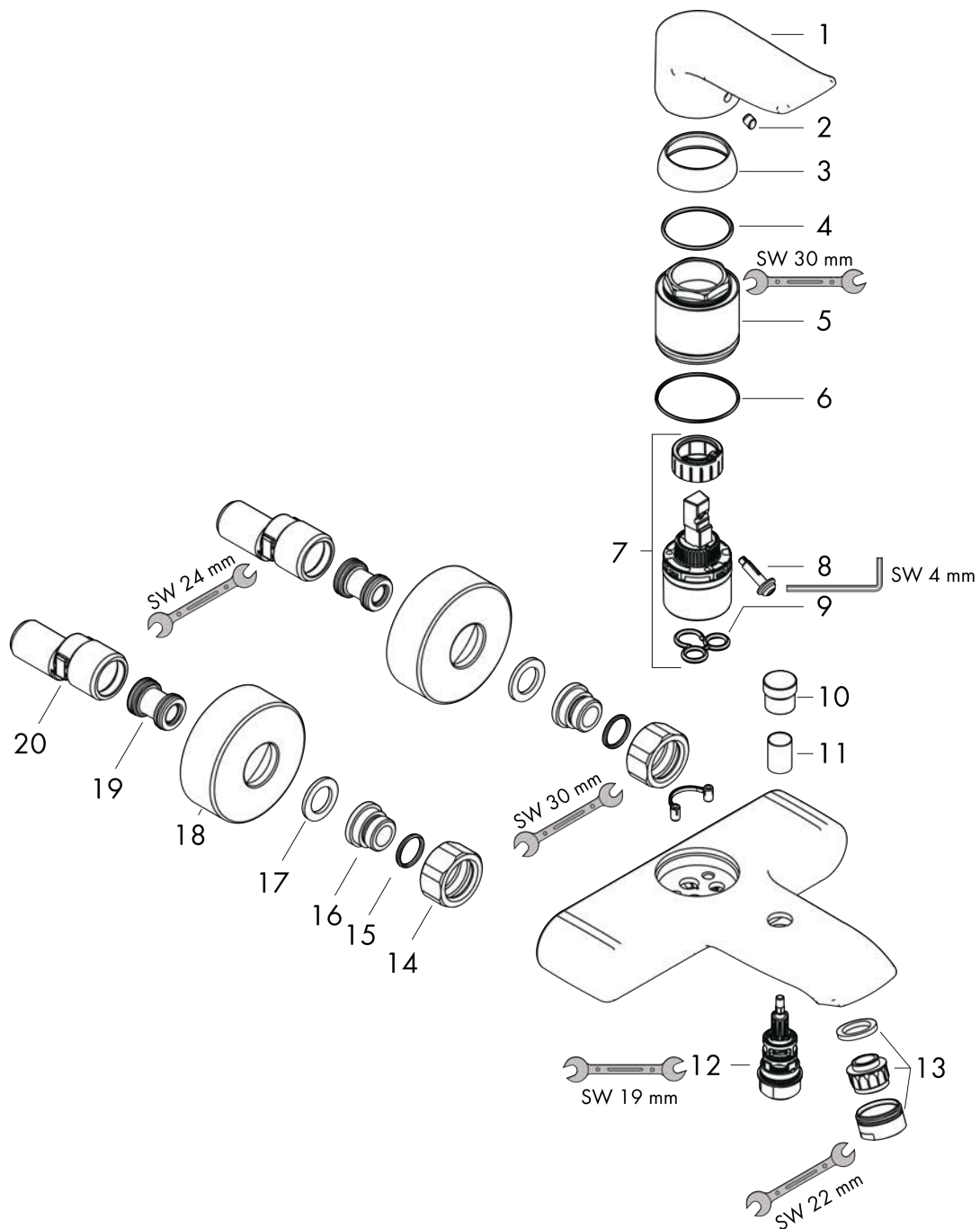


Metris
Single lever bath mixer for exposed installation
 Surfaces: **Chrome** Article Number: **31480000**



Exploded Drawing

Year of production: >06/14



Metris

Single lever bath mixer for exposed installation

Surfaces: **Chrome** Article Number: **31480000**



Spare part list

Year of production: >06/14

Pos.	Description	Article Number	Price	PU
1	handle	95519000	€ 35,94	1
2	screw cover	96338000	€ 3,21	1
3	flange	97406000	€ 18,33	1
4	O-Ring 32x2	98193000	€ 3,21	1
5	nut	97977000	€ 35,94	1
6	O-ring 33x1,5	98164000	€ 3,21	1
7	cartridge, assy	92730000	€ 57,12	1
8	locking screw for handle	95140000	€ 5,24	1
9	seal	95008000	€ 8,45	1
10	diverter knob	97981000	€ 18,33	1
11	sleeve	97979000	€ 13,92	1
12	selector	97978000	€ 57,12	1
13	aerator M24x1 (25 l/min)	13914000	-	1
14	set of nuts	96157000	€ 28,20	1
15	O-ring 15x2	98163000	€ 3,21	1
16	connecting thread	97220000	€ 13,92	1
17	filter packing	96922000	€ 8,45	1
18	escutcheon Ø 68 mm	96467000	€ 18,33	1
19	noise reduction	96429000	€ 5,24	1
20	set of S-unions (±12 mm)	94140000	€ 44,63	1
a	set of S-unions (±32 mm)	98592000	€ 35,94	1
b	diverter fixing device	97211000	€ 3,21	1