

Metris

Shut-off valve E for concealed installation

Surfaces: **Chrome** Article Number: **31677000**



Description

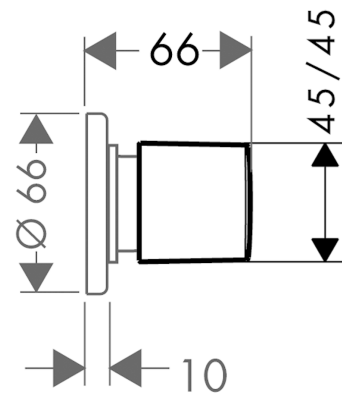
product features

- connection type: DN15/DN20

Product image



Scale drawing



Metris

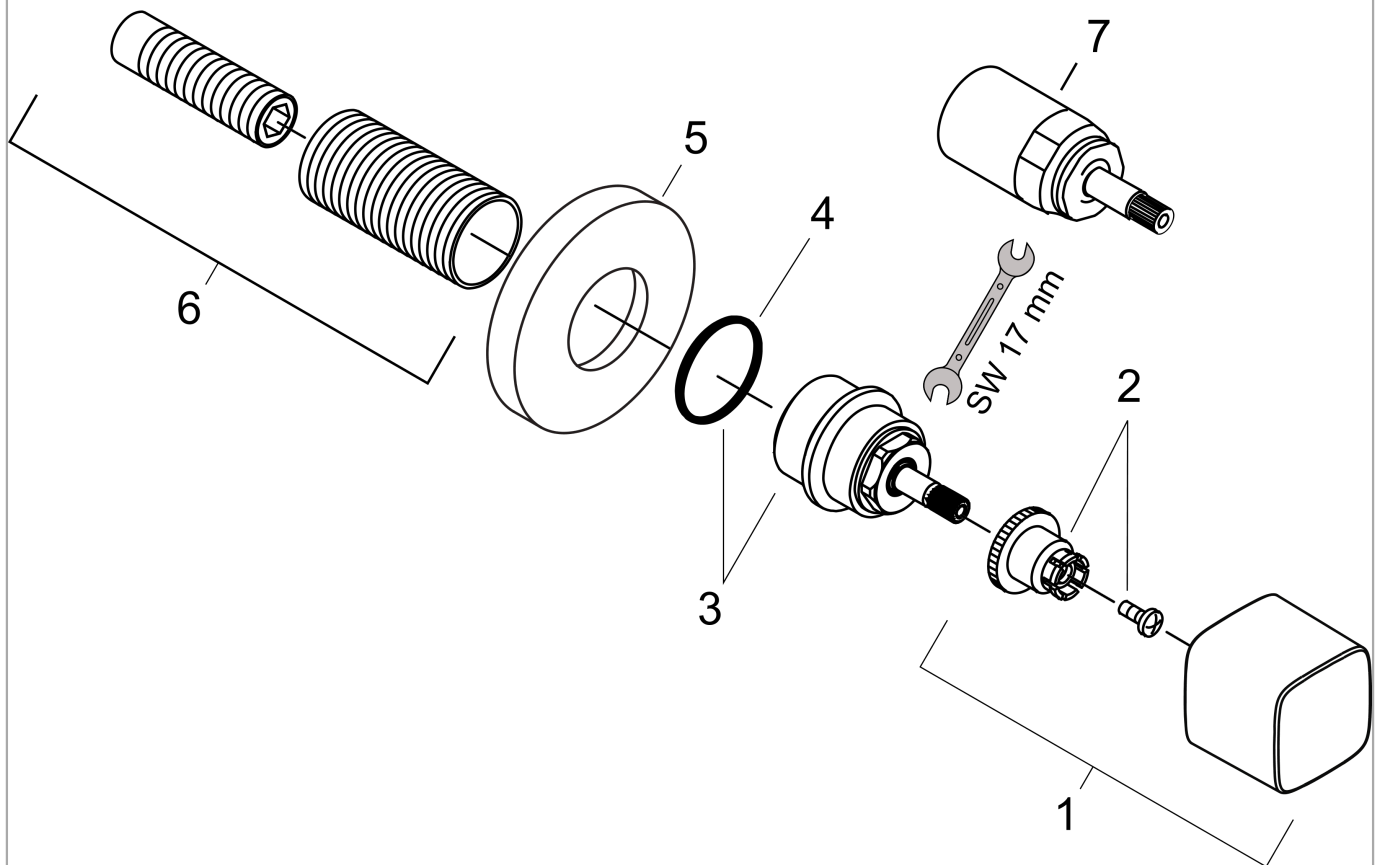
Shut-off valve E for concealed installation

Surfaces: **Chrome** Article Number: **31677000**



Exploded Drawing

Year of production: >06/11



Metris**Shut-off valve E for concealed installation**Surfaces: **Chrome** Article Number: **31677000****Spare part list**

Year of production: >06/11

Pos.	Description	Article Number	Price	PU
1	handle	95278000	€ 44,63	1
2	handle fixing set	94184000	€ 5,24	1
3	nut	97358000	€ 35,94	1
4	O-ring 33x1,5	98164000	€ 3,21	1
5	escutcheon Ø 66 mm	94353000	€ 28,20	1
6	fixing set	96392000	€ 28,20	1
7	extension 25 mm	96370000	-	1
a	concealed items DN20 (3/4")	15970180	-	1
b	concealed items 1/2"	15973180	-	1
c	concealed items 1/2"	15974180	-	1