

Logis E

Single lever basin mixer 100 with pop-up waste set

Surfaces: **Chrome** Article Number: **71161000**



Description

product features

- consists of: single lever basin mixer, waste set
- ComfortZone 100
- projection 119 mm
- normal spray
- flow rate at 3 bar: 5 l/min
- ceramic cartridge
- temperature limitation adjustable
- suitable for continuous flow water heaters
- pop-up waste set G 1¼
- material waste set: synthetic
- connection type: G ¾ connections
- connection dimension: DN15

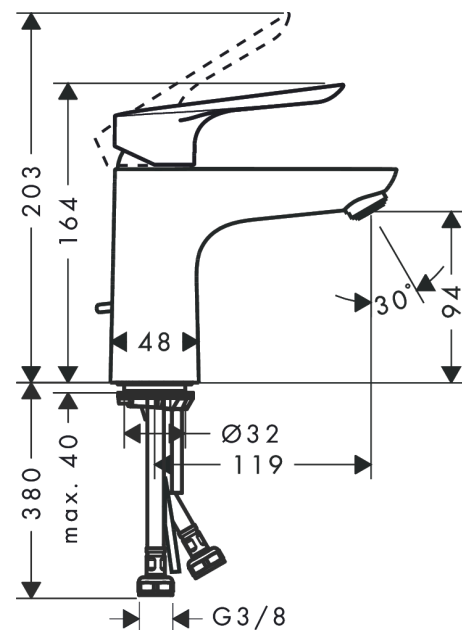
Technology



Product image



Scale drawing



Flowchart

