

FixFit

Wall outlet E stop with non-return valve and shut-off valve

Surfaces: **Chrome** Article Number: **27452000**



Description

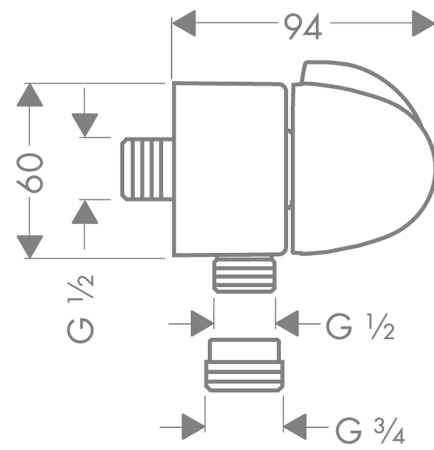
product features

- with integrated shut-off valve in metal
- with ceramic valve
- non-return valve: non-return valve
- 90° shut-off unit -> ¼ turn
- free flow 30 l/min at 3 bar
- Adapter from G½ to G¾ connection

Product image



Scale drawing



FixFit

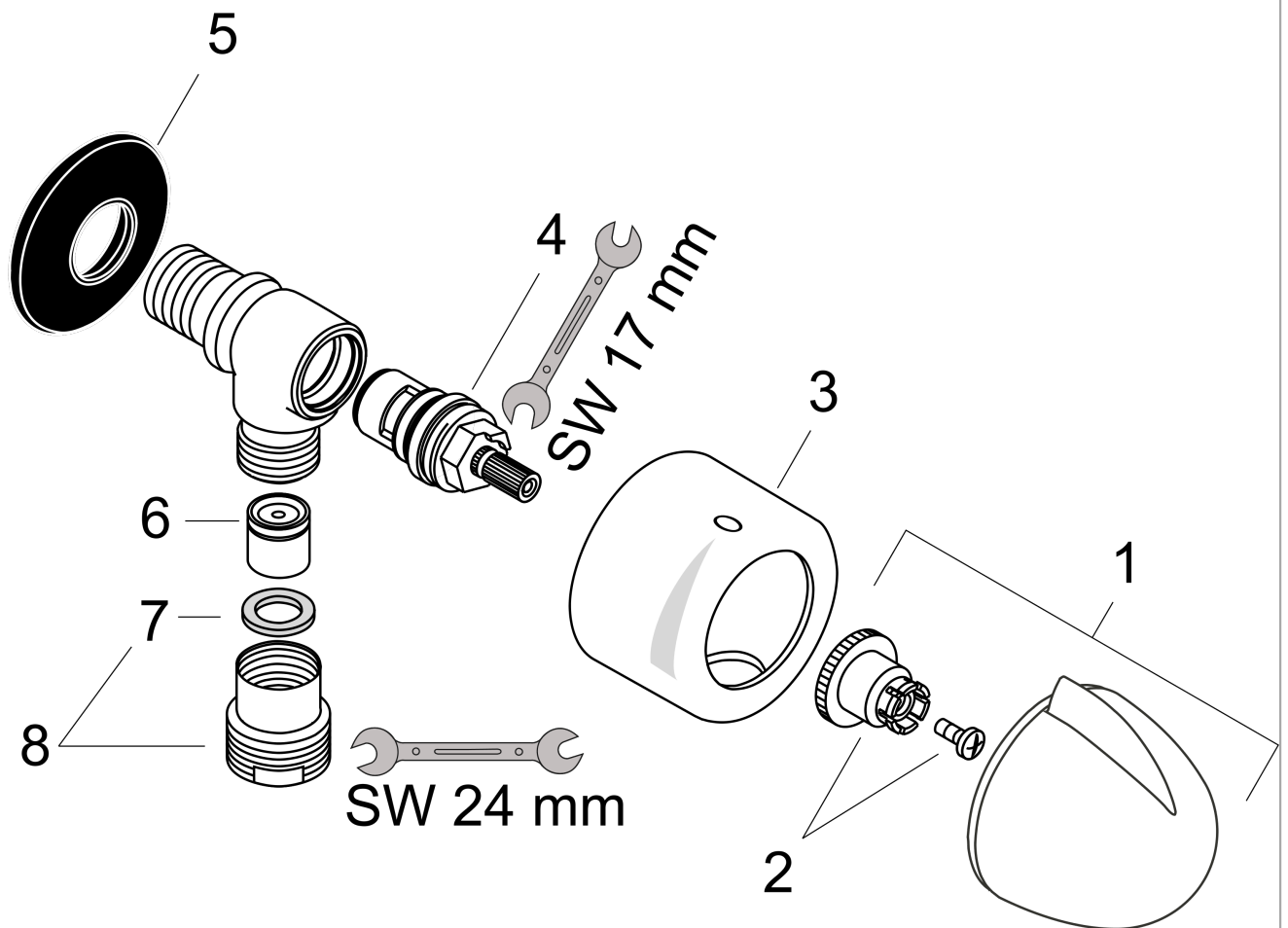
Wall outlet E stop with non-return valve and shut-off valve

Surfaces: **Chrome** Article Number: **27452000**



Exploded Drawing

Year of production: >08/01



FixFit

Wall outlet E stop with non-return valve and shut-off valve

Surfaces: **Chrome** Article Number: **27452000**



Spare part list

Year of production: >08/01

Pos.	Description	Article Number	Price	PU
1	handle	36993000	€ 57,12	1
2	handle fixing set	94184000	€ 5,24	1
3	sleeve	96240000	€ 44,63	1
4	shut off unit right closing	96350000	€ 44,63	1
5	support element	98557000	€ 5,24	1
6	set of non return valves DW 15	94074000	€ 13,92	1
7	flat seal	97674000	€ 3,21	1
8	reduction coupling	92844000	€ 13,92	1