

## Croma

### Overhead shower 220 1jet

Surfaces: **Chrome** Article Number: **26464000**



#### Description

##### product features

- shower head size: 220 mm
- spray type: RainAir
- ball-joint: overhead shower angle adjustable
- material spray disc: metal
- maximum flow rate at 3 bar: 19 l/min
- flow rate RainAir spray (at 3 bar): 19 l/min
- function from: 10,5 l/min
- minimum flow pressure: 1 bar
- spray disc removable for cleaning
- installation: ceiling or wall
- connection thread G ½
- connection dimension: DN15
- suitable for continuous flow water heaters

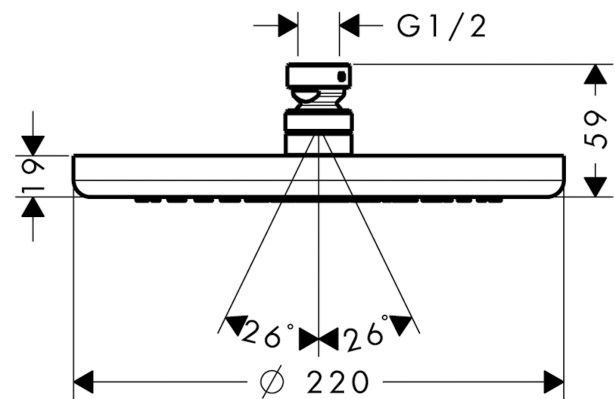
#### Technology



#### Product image



#### Scale drawing



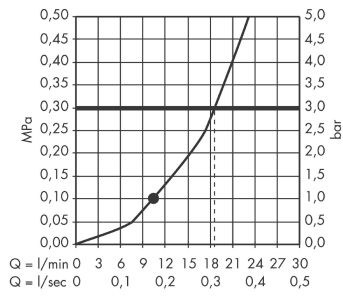
**Croma**

**Overhead shower 220 1jet**

Surfaces: **Chrome** Article Number: **26464000**



**Flowchart**



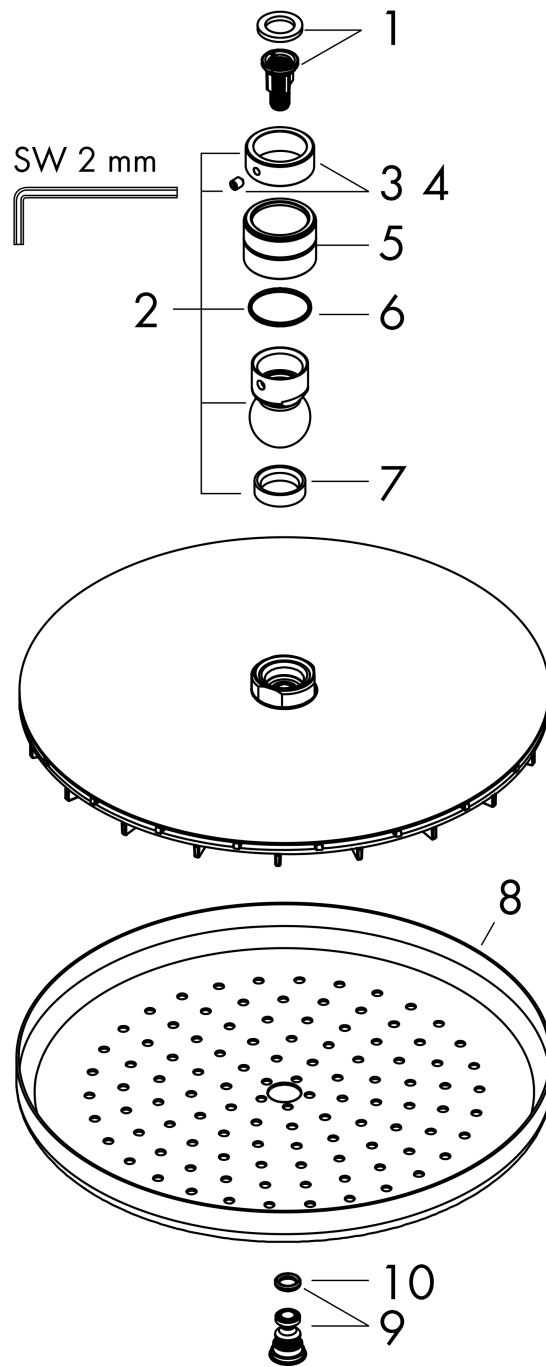
The consumption was measured in combination with the appropriate fittings (thermostat/mixer/in-wall valve) to reflect actual application in practice.

**Croma**  
**Overhead shower 220 1jet**  
 Surfaces: **Chrome** Article Number: **26464000**



**Exploded Drawing**

Year of production: >01/12



**Croma**

**Overhead shower 220 1jet**

Surfaces: **Chrome** Article Number: **26464000**



**Spare part list**

Year of production: >01/12

Pos.	Description	Article Number	Price	PU
1	filter insert	97708000	€ 5,24	1
2	ball joint	98941000	€ 35,94	1
3	lock washer	98942000	€ 18,33	1
4	hollow set screw M4x6	97767000	€ 3,21	1
5	nut	97958000	€ 5,24	1
6	lever collar	97536000	€ 5,24	1
7	seal	97606000	€ 5,24	1
8	spray body	92882000	€ 100,44	1
9	air jet	95794000	€ 28,20	1
10	O-ring 7x2	98419000	€ 3,21	1
a	non return valve	95699000	€ 13,92	1