

Croma 100
Shower holder set Multi with shower hose 160 cm
 Surfaces: **Chrome** Article Number: **27595000**



Description

product features

- consists of: hand shower, shower holder, shower hose
- shower head size: 100 mm
- integrated support function
- spray type: Rain, MonoRain, Massage spray
- spray type adjustment by turning spray disc
- maximum flow rate at 3 bar: 19 l/min
- minimum flow pressure: 1 bar
- operating pressure: min. 1 bar/max. 6 bar
- pivot connector prevent hose from tangling
- shower hose with conical nut on both ends
- Shower holder of plastic
- wall mounting: screw fastening
- rinseable screen seal

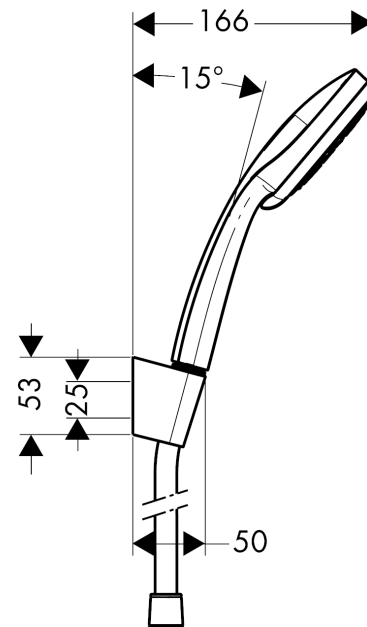
Technology



Product image



Scale drawing



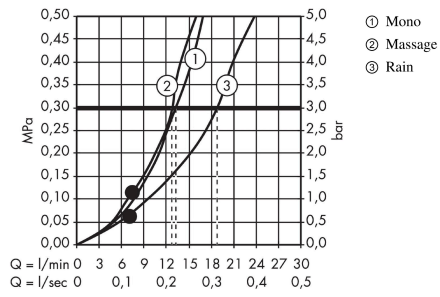
Croma 100

Shower holder set Multi with shower hose 160 cm

Surfaces: **Chrome** Article Number: **27595000**



Flowchart



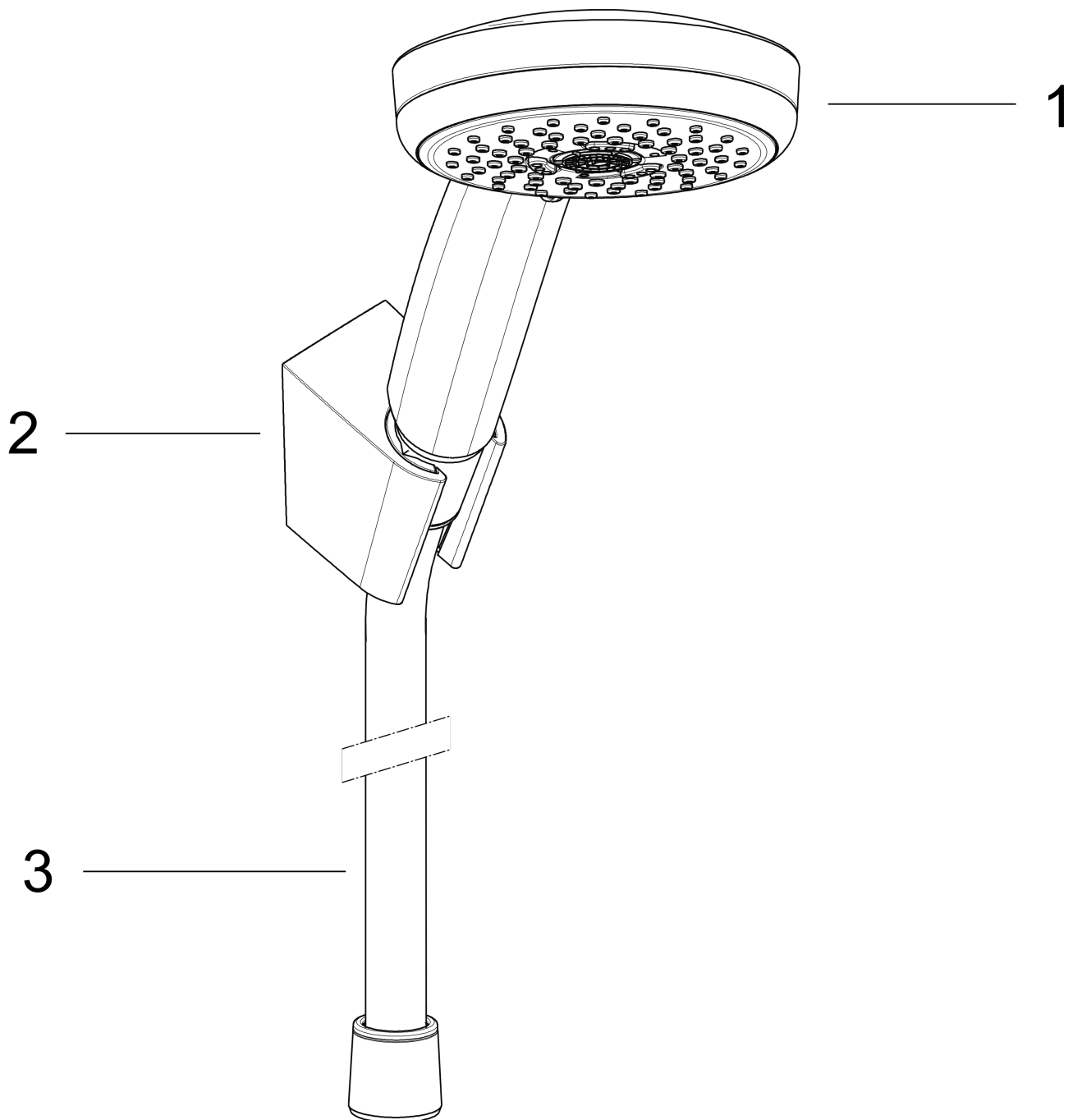
The consumption was measured in combination with the appropriate fittings (thermostat/mixer/in-wall valve) to reflect actual application in practice.

Croma 100
Shower holder set Multi with shower hose 160 cm
 Surfaces: **Chrome** Article Number: **27595000**



Exploded Drawing

Year of production: >10/06



Croma 100
Shower holder set Multi with shower hose 160 cm
 Surfaces: **Chrome** Article Number: **27595000**



Spare part list

Year of production: >10/06

Pos.	Description	Article Number	Price	PU
1	handshower	28536000	-	1
2	shower holder	28331000	-	1
3	shower hose Isiflex'B 1,60 m	28276000	-	1