

AddStoris
Sanitary bag dispenser

Surfaces: **Chrome** Article Number: **41773000**



Description

product features

- wall-mounted
- adhesive attachment, screw fastening
- material: plastic
- suitable for: customary sanitary bag boxes
- easy removal of the lid for easy filling
- with mounting material
- concealed fastening
- drilling distance: 90 mm
- diameter drill hole: 6 mm
- horizontal or vertical installation

Design awards

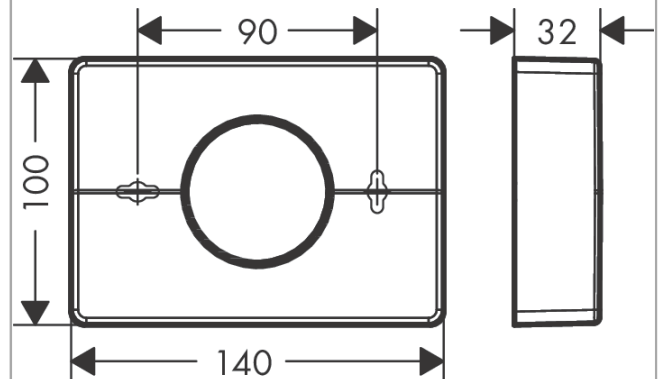


reddot winner 2021

Product image



Scale drawing



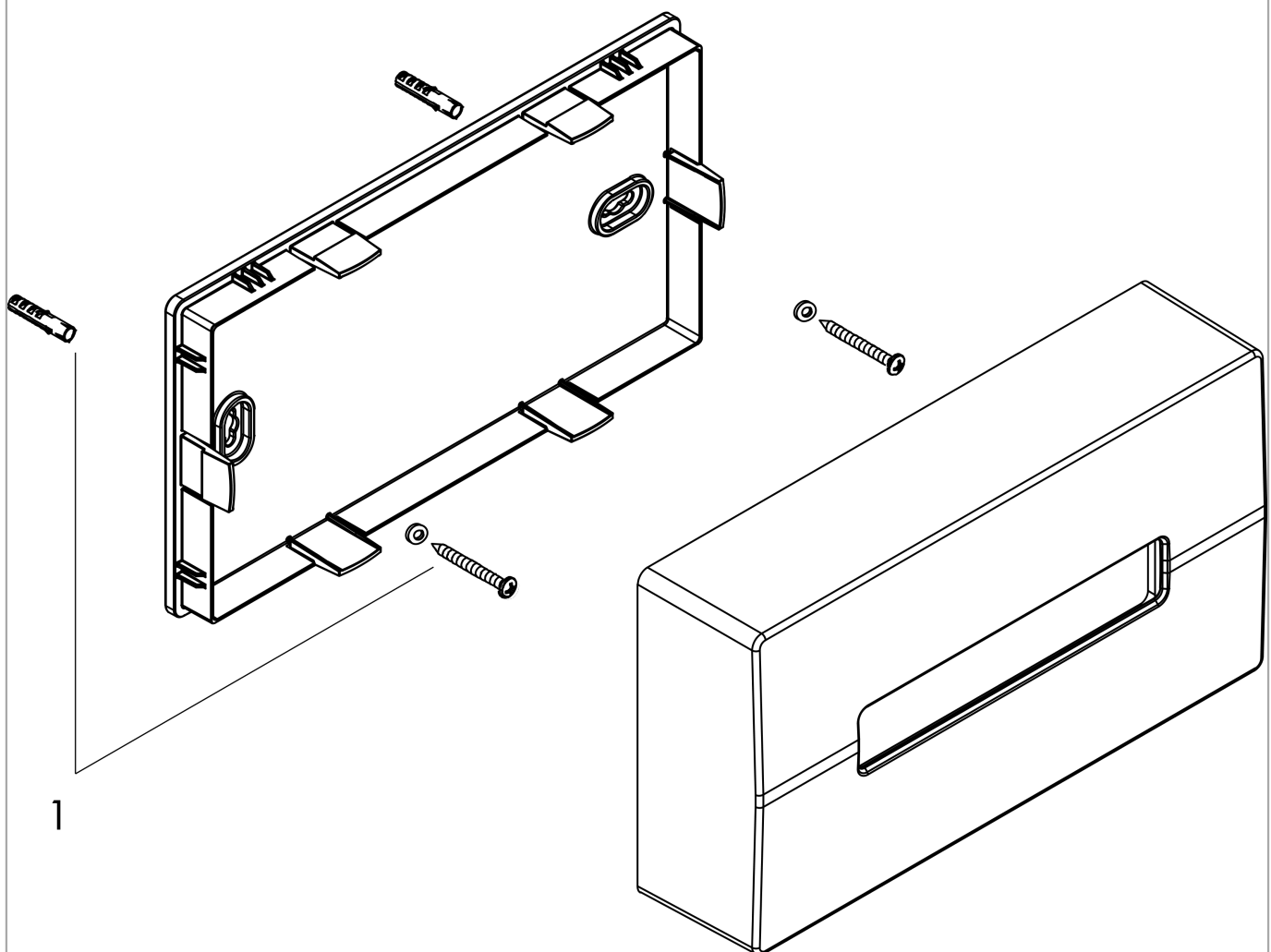
AddStoris
Sanitary bag dispenser

Surfaces: **Chrome** Article Number: **41773000**



Exploded Drawing

Year of production: >04/21



AddStoris

Sanitary bag dispenser

Surfaces: **Chrome** Article Number: **41773000**



Spare part list

Year of production: >04/21

Pos.	Description	Article Number	Price	PU
1	mounting set	40915000	€ 11,31	1