

Product information sheet PLEON 9

Item no. 570.25.840

Benefits



- Timelessly elegant, straight-lined design
- Spacious tap ledge and low-profile rim
- Easy to clean, flowing transition from the sink's rim to the tap ledge
- High-quality features with the covered C-overflow and InFino drain system – elegantly integrated and extremely easy-care

Color



Available color:
SILGRANIT Coffee

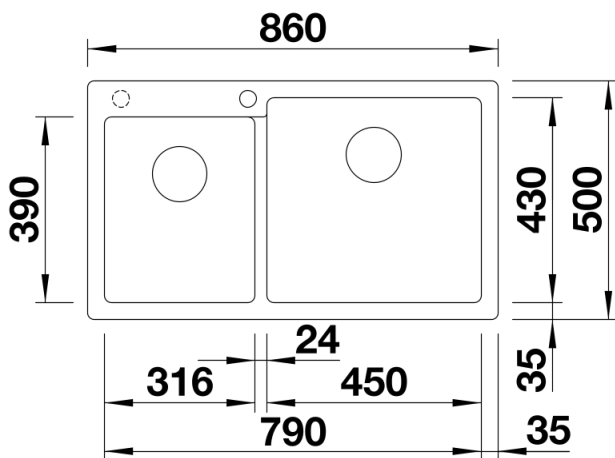
Planning information

- Special fixing elements are required for under mount installation.

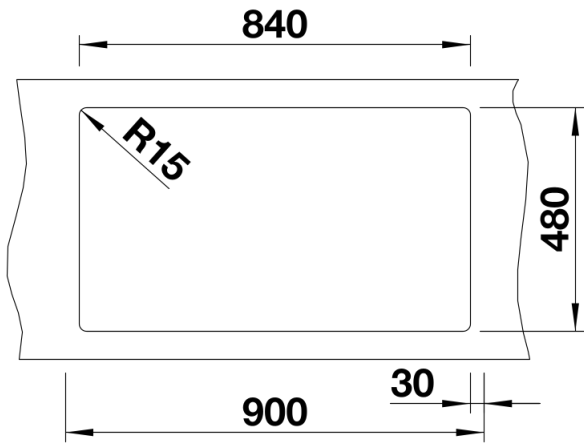
Scope of supply

- waste kit with space-saving pipe
- 2 x 3 ½" InFino basket strainer

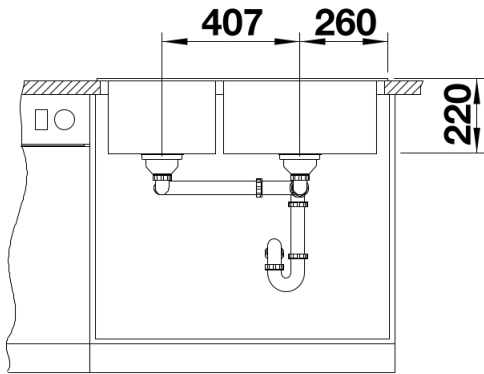
Details



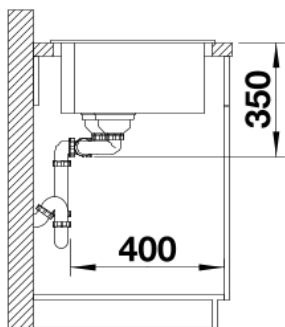
Top view



Cut-out



Front view



Side view