

## Product information sheet METRA XL 6 S

Item no. 565.76.990

### Benefits

---



- Young, straight-lined design
- Attractive line of sinks in the medium price category
- The unsurpassed capacity of the bowl provides even more room to do the washing up
- Spacious draining area provides a high degree of comfort
- Aesthetic low-profile rim design
- Can be installed reversibly

### Colors

---



Available colors:

SILGRANIT Alu metallic

## Planning information

---

- Special fixing elements are required for under mount installation.

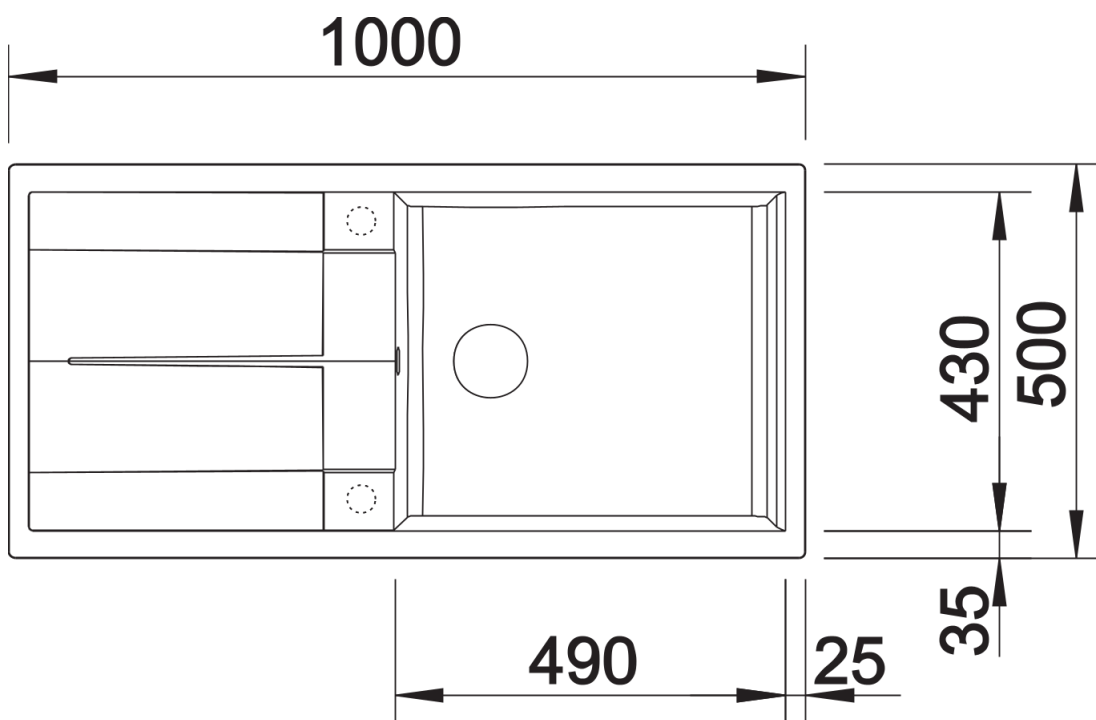
## Scope of supply

---

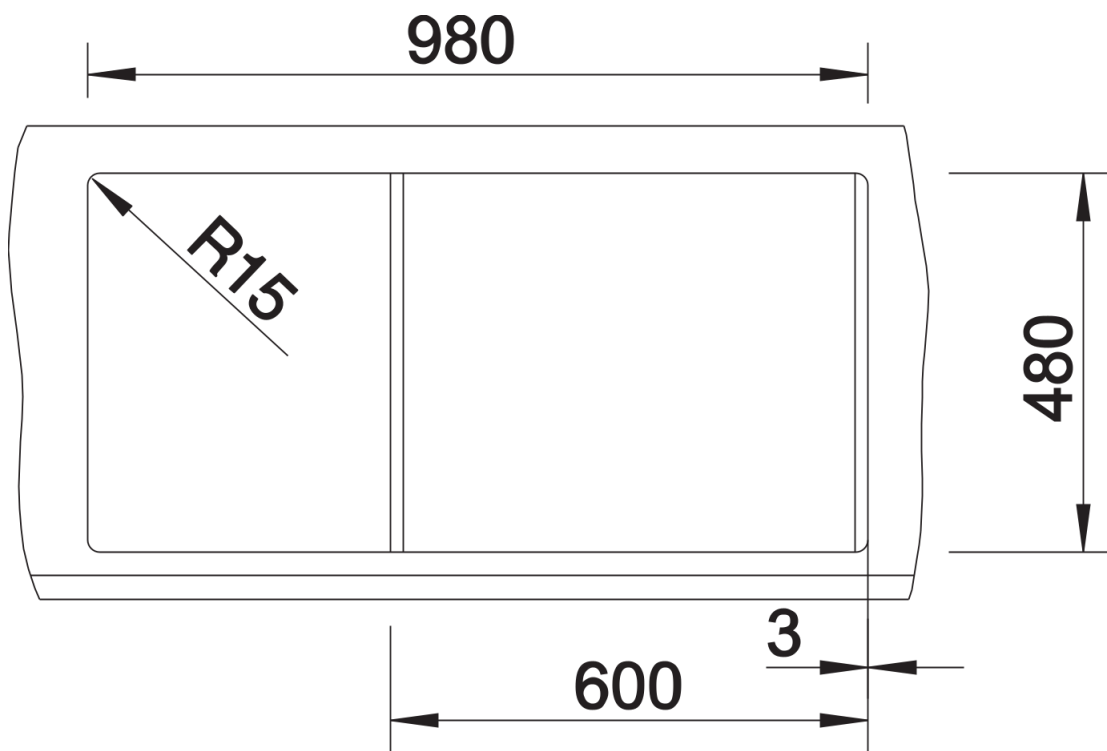
- waste kit with space-saving pipe
- 3 ½" basket strainer with drain remote control (rotary switch)

## Details

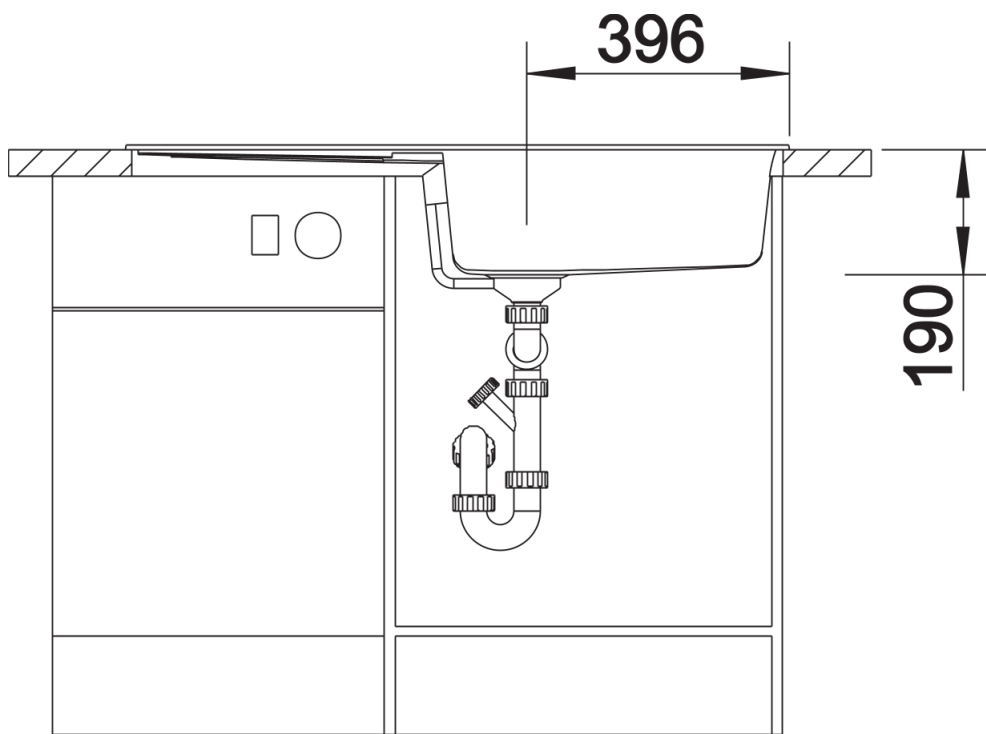
---



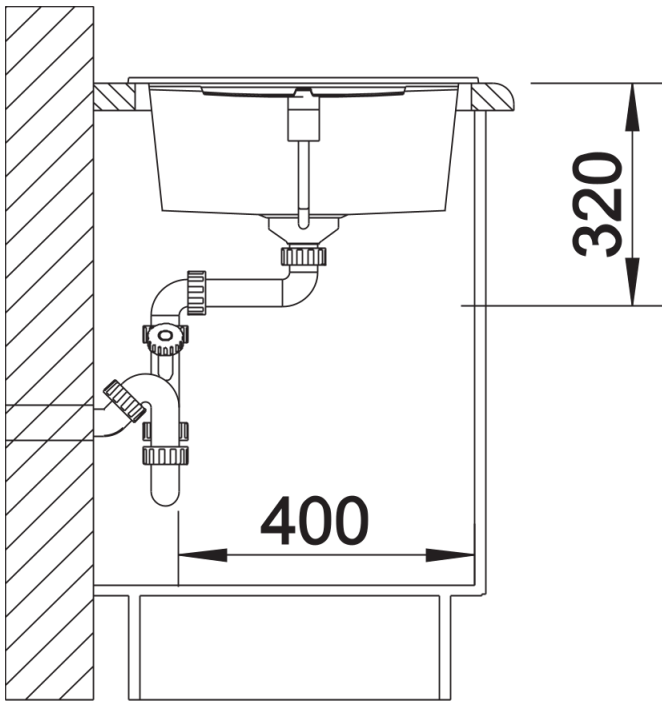
Top view



Cut-out



Front view



Side view