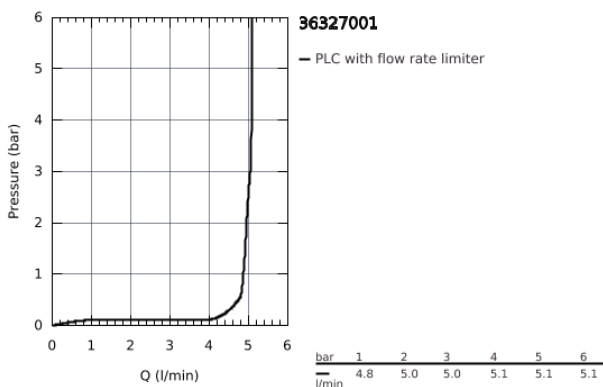
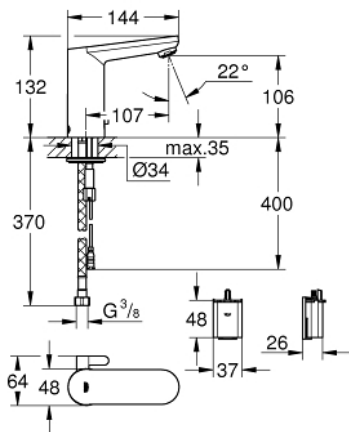


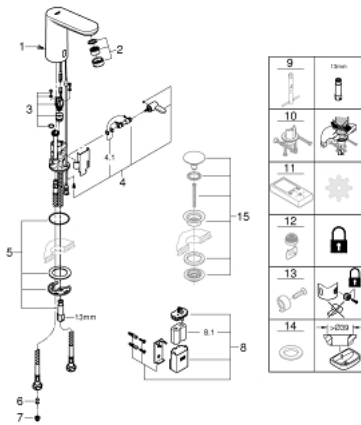
36 327 001 INFRA-RED ELECTRONIC BASIN MIXER 1/2" WITH MIXING DEVICE AND ADJUSTABLE TEMPERATURE LIMITER



PRODUCT DESCRIPTION

- with infrared sensor for bi-directional communication for monitoring, configuration and servicing
- 6V lithium battery, type CR-P2
- battery lifetime approx. 7 years (150 actuations a day)
- **GROHE EcoJoy** mousseur 5.7 l/min
- flexible connection hoses
- non-return valve
- dirt strainers
- with integrated solenoid valve
- external battery
- rapid installation system
- multistage battery status display
- 7 pre-set programs
- auto flush
- thermal disinfection
- cleaning mode
- additional functions and precise settings by remote control 36 407
- CE approved
- noise classification 1 in accordance with DIN4109
- type of protection faucet IP 59K

36 327 001 INFRA-RED ELECTRONIC BASIN MIXER 1/2" WITH MIXING DEVICE AND ADJUSTABLE TEMPERATURE LIMITER



SPARE PARTS, March 2021 – now

- 1: Screw (Order-nr. 4283100M)
- 2: Flow restrictor (Order-nr. 48159000)
- 3: Solenoid valve (Order-nr. 42479000)
- 4: Mixing lever (Order-nr. 42401000)
- 4.1: O-Ring (Order-nr. 4284000M)
- 5: Mounting set (Order-nr. 42400000)
- 6: Non-return valve (Order-nr. 4257200M)
- 7: Filter (Order-nr. 4241300M)
- 8: Battery Housing (Order-nr. 42393000)
- 8.1: Battery (Order-nr. 42886000)
- 9: Mounting wrench (Order-nr. 19017000)*
- 10: Rotation lock (Order-nr. 36276000)*
- 11: Remote control (Order-nr. 36407001)*
- 12: Flow restrictor (Order-nr. 36133000)*
- 13: Security cover cap (Order-nr. 42408000)*
- 14: Escutcheon (Order-nr. 36370000)*
- 15: Waste set with push-open plug (Order-nr. 65807000)*

* Optional accessories