

Product information sheet METRA 8 S

Item no. 565.70.440

Benefits



- Young, straight-lined design
- Attractive line of sinks in the medium price category
- Particularly spacious bowls provide an unsurpassed amount of room
- The additional bowl provides a high degree of comfort
- Aesthetic low-profile rim design
- Can be installed reversibly

Colours



Available color:
Coffee

SILGRANIT anthracite

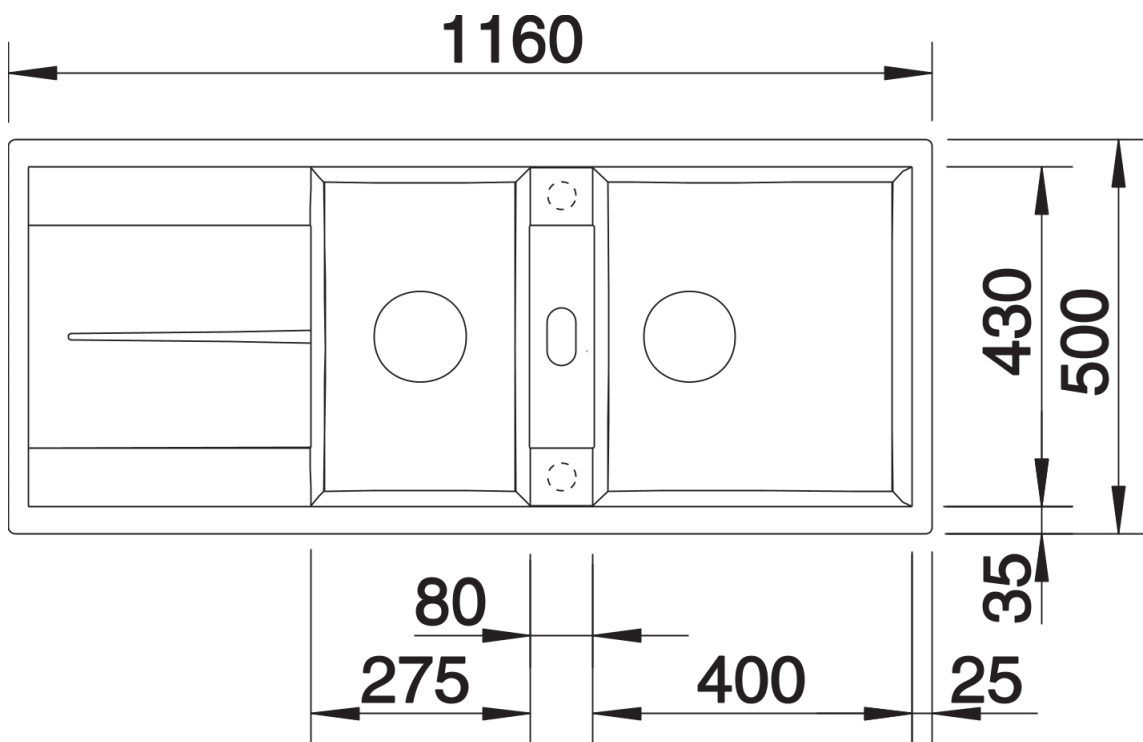
Planning information

- Retrofit set for drain remote control is optionally available.
- Special fixing elements are required for under mount installation.

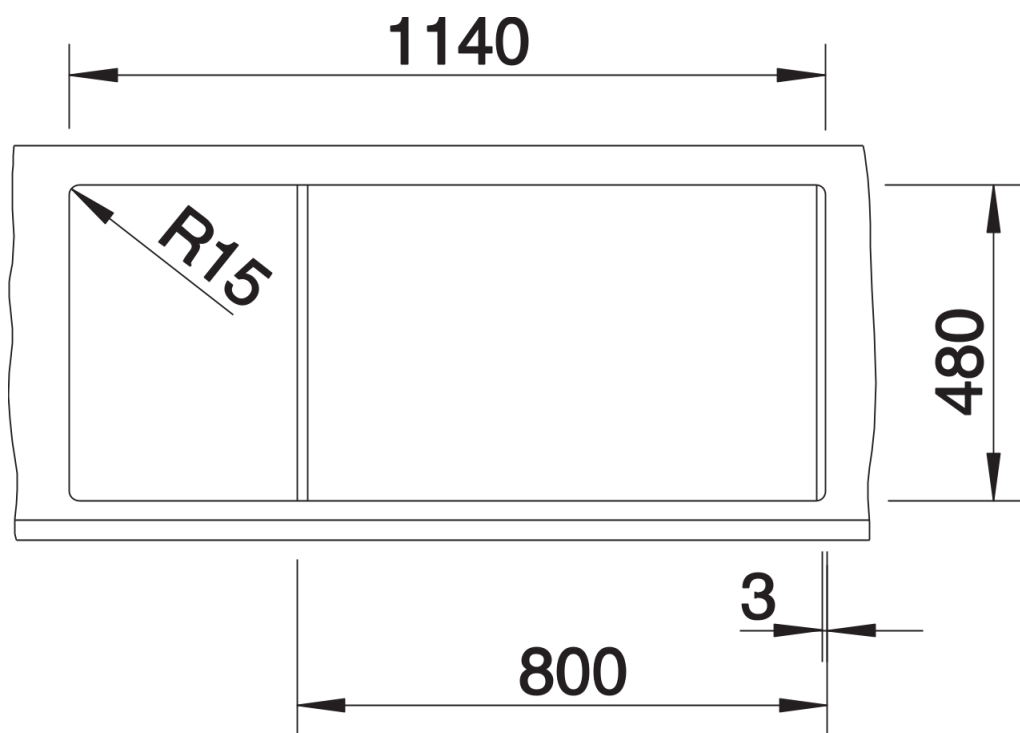
Scope of supply

- waste kit with space-saving pipe
- 2 x 3 ½" basket strainer

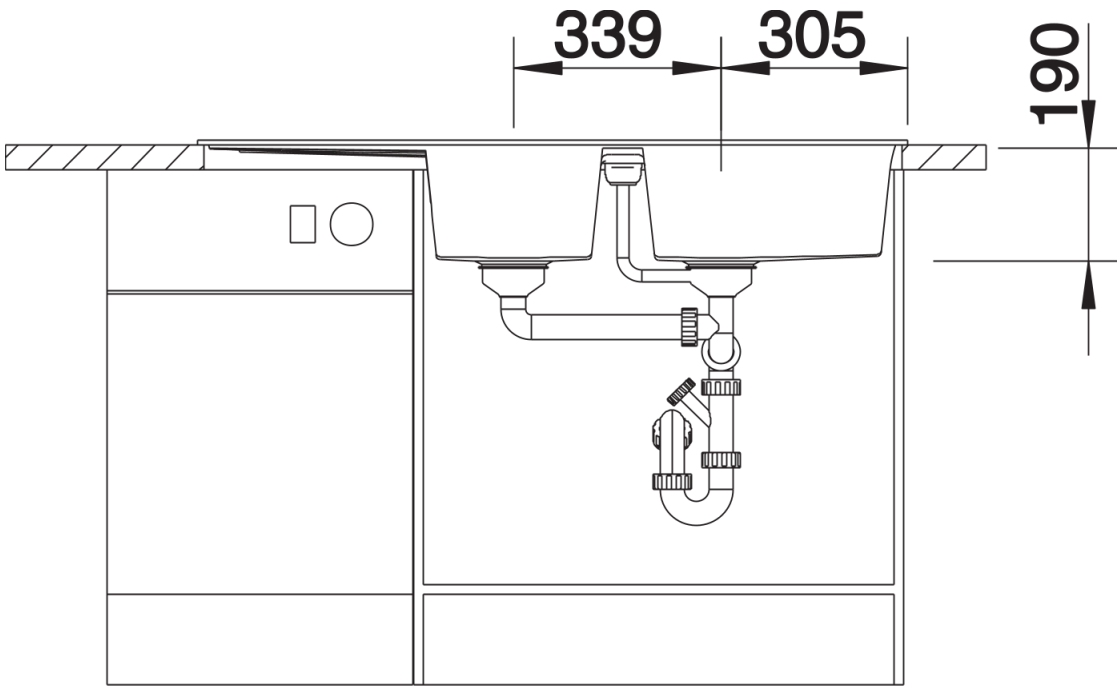
Details



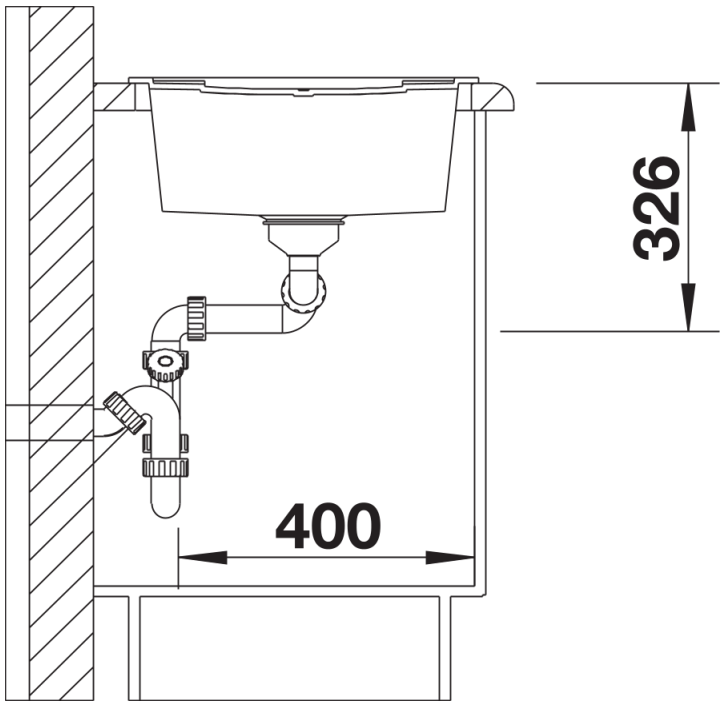
Top view



Cut-out



Front view



Side view